



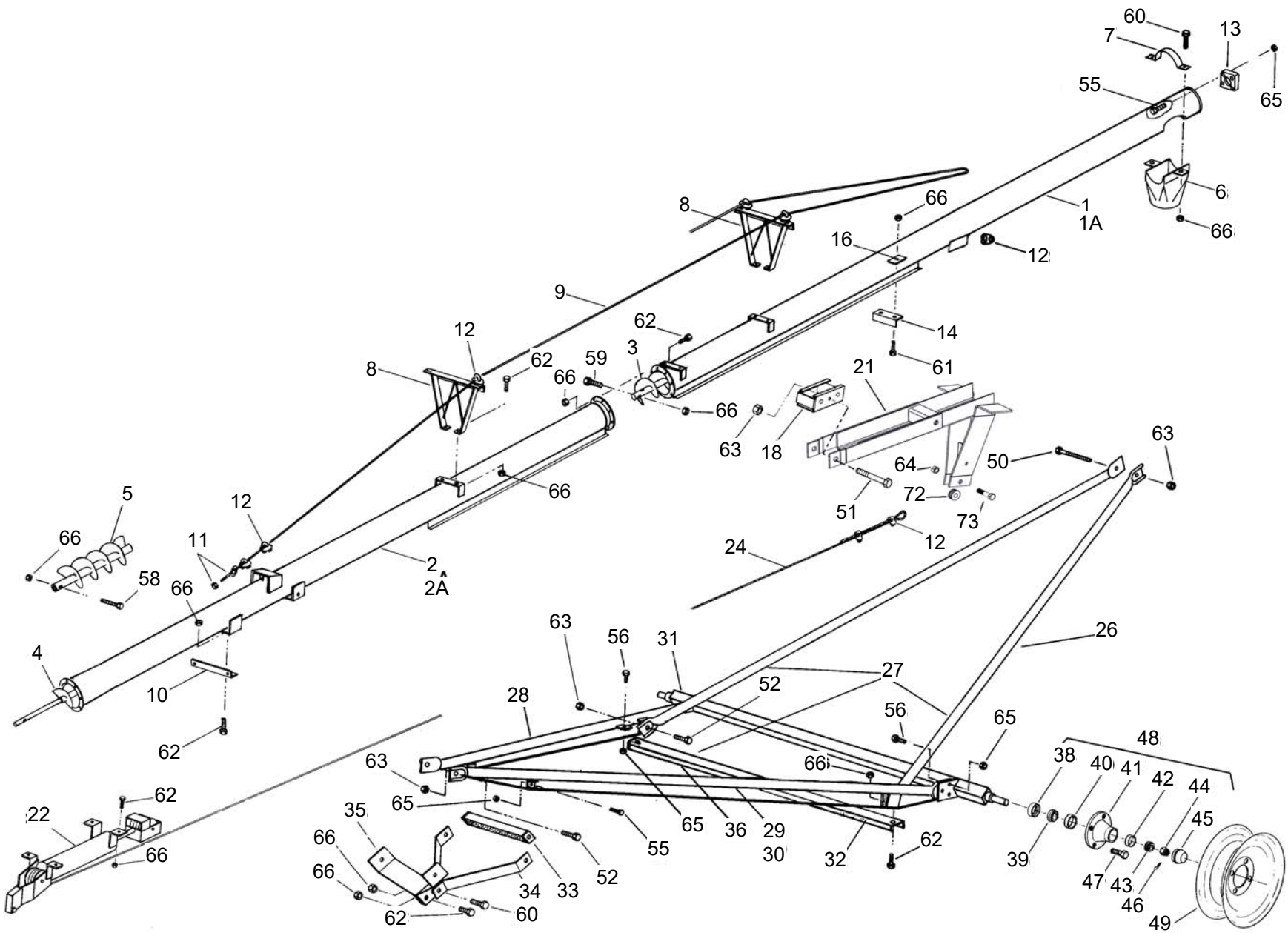
**HX8 (2020) SERIES AUGER**

**PARTS MANUAL**

# TABLE OF CONTENTS

DESCRIPTION	PAGE
BASIC AUGER, HX8-51 SILVER & GALVANIZED (2020)	3
BASIC AUGER, HX8-61 SILVER & GALVANIZED (2020)	7
BASIC AUGER, HX8-71 SILVER & GALVANIZED (2020)	11
SWING HOPPER, HX8 (2020)	15
BOOT & HOPPER LIFT ASSEMBLY, HX8 (2020)	19
HYDRAULIC LIFT CYLINDER, HX51 (2020)	21
HYDRAULIC LIFT CYLINDER, HX61 (2020)	22
HYDRAULIC LIFT CYLINDER, HX71 (2020)	23
MANUAL HOLDER HX8 (2020)	24

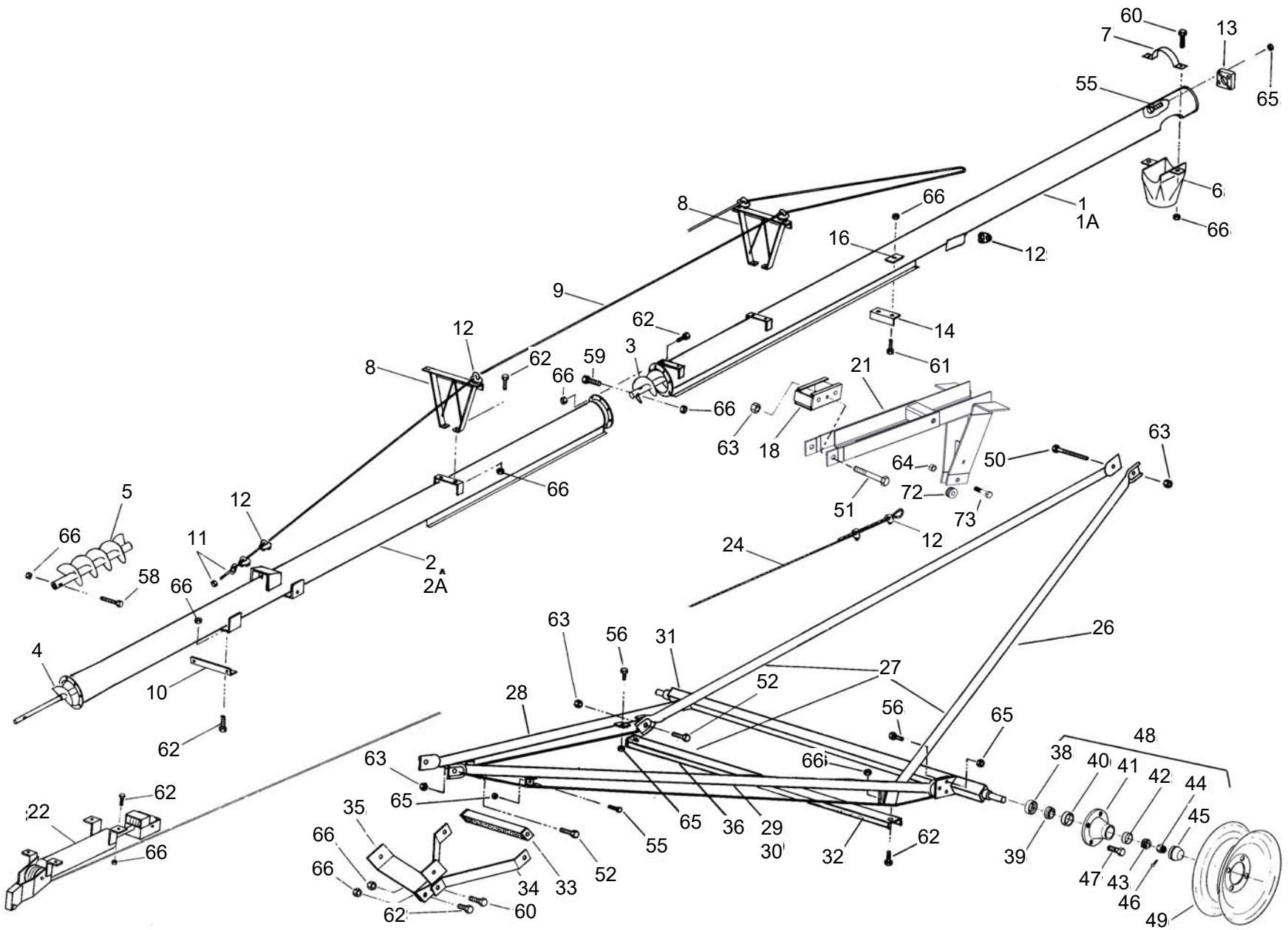
# BASIC AUGER, HX8-51 SILVER & GALVANIZED (2020)



## BASIC AUGER, HX8-51 SILVER & GALVANIZED (2020)

ITEM	PART NO.	DESCRIPTION	NOTES
1	10-18880GA	HX 8 UPPER TUBE ONLY, GALV	GALVANIZED
1A	10-18882GA	HX8-51/61/71 UPPER TUBE BDL, GALV	GALVANIZED
1	10-18880SR	HX 8 UPPER TUBE ONLY, SR	SILVER
1A	10-18882SR	HX8-51/61/71 UPPER TUBE BDL, SR	SILVER
2	10-22008GA	HX8-51 LOWER TUBE ONLY #, GALV	GALVANIZED
2A	10-22009GA	HX8-51 LOWER TUBE BUNDLE #, GALV	GALVANIZED
2	10-22008SR	HX8-51 LOWER TUBE ONLY #	SILVER
2A	10-22009SR	HX8-51 LOWER TUBE BUNDLE #, SR	SILVER
3	10-18888	MK80 UPPER FLIGHT	
4	10-18890	MK80-51 LOWER FLIGHT W/BOOT FLIGHT	
5	10-18920	MK80 BOOT FLIGHT SECTION	
6	10-29306	SPOUT, 8 INCH ROLLED	
7	10-19460	CLAMP, W80 HALF	
8	10-19324WH	REGULAR TRUSS BRACKET	
9	10-18826	J51 TRUSS CABLE	
10	10-18031	MK80 TRUSS ATTACH ANGLE	
11	10-19331	EYE BOLT/NUT 1/2" X5" 4503071	
12	10-19333	5/16" CABLE CLAMP (YELLOW ZINC)	
13	10-19567	BEARING, 1-1/4 PILLOW 4500067	
14	10-18745	TRACK STOP	
16	10-18917	TRACK STOP WASHER	
18	10-18922RD	MK ROLLER TRACKSHOE, RED	
21	10-18930	LIFT ASSIST	
22	10-18033	HYDRAULIC CYLINDER ASSEMBLY	
24	10-18042	LIFT CABLE	
26	10-19792	UPPER FRAME TUBE	
27	10-19793	W100-51 UPPER FRAME BUNDLE	
28	10-19789	LOWER LEFT FRAME TUBE	
29	10-19790	LOWER RIGHT FRAME TUBE	
30	10-19791	MKX1053/WR1051 LOWER FRAME BUNDLE	
31	10-18090	AXLE ASSEMBLY	
32	10-19376	CROSSMEMBER	
33	10-18914	SHORT CROSSMEMBER	
34	10-18908	STABILIZER BRACE	
35	10-18909	STABILIZER BRACKET	
38	10-19264	HUB SEAL	
39	10-19265	CONE BEARING 4500059-3	
40	10-19266	CUP 4500059-4	
41	10-19267	REG HUB	
42	10-19268	CUP	
43	10-19269	BEARING CONE	
44	10-19270	3/4" NF SLOTTED NUT PLAIN	
45	10-19272	REGULAR DUST CAP	
46	10-19271	COTTER PIN 1/8 X 1-1/2 C.ZINC PLTD	
47	10-20565	1/2" X 1" NF #5 WHEEL BOLT BLACK	
48	10-19467	REG HUB ASSEMBLY	
49	10-21330	15 X 4.5 X 4 BOLT WHEEL ASSEMBLY	
50	10-18094	3/4" X 7-1/2" NC BOLT GR 8 PLTD	
51	10-19593	3/4" X 6-1/2" NC BOLT GR 8 PLTD	
52	10-19592	BOLT 3/4" X 2" 9900823	

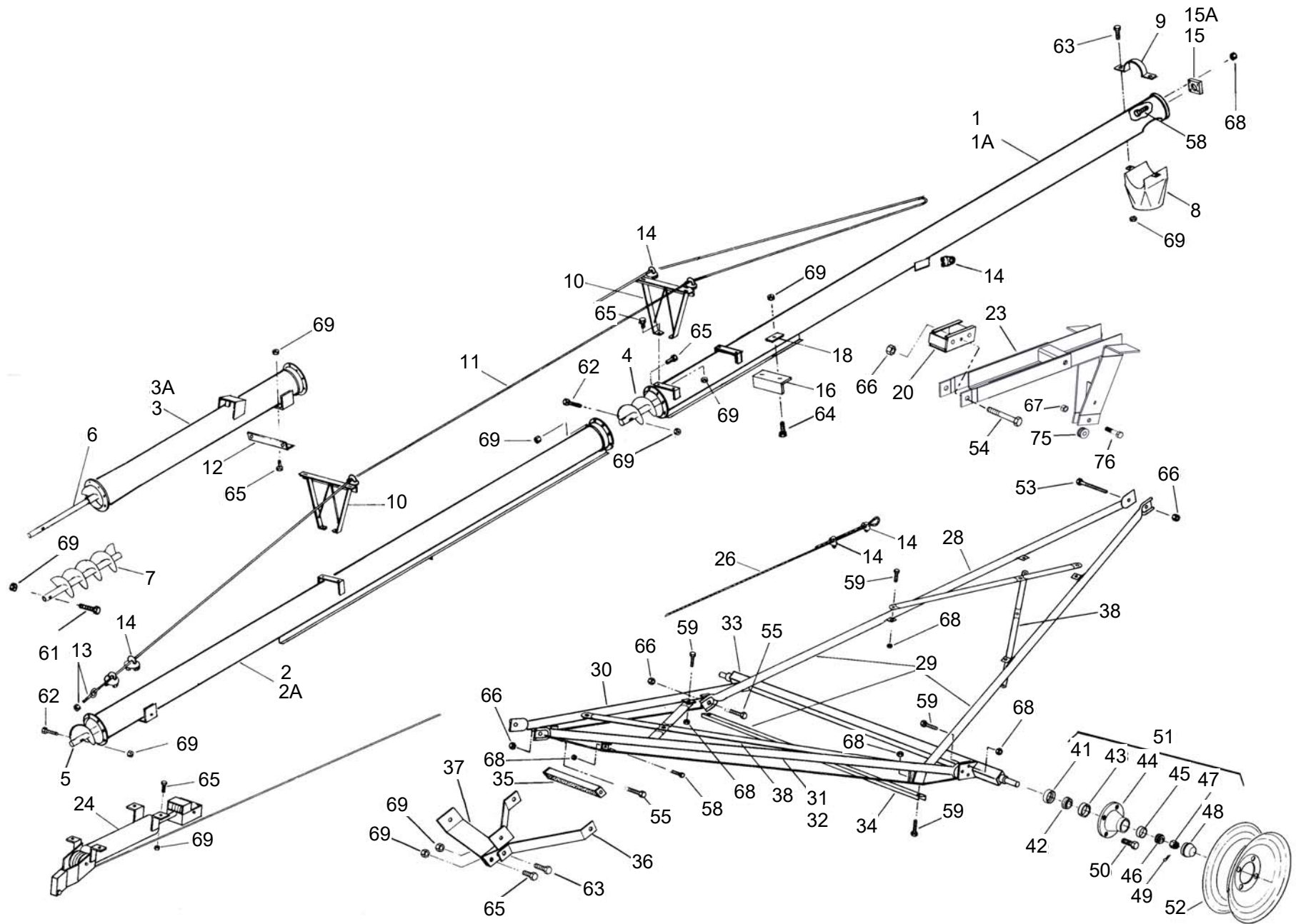
**BASIC AUGER, HX8-51 SILVER & GALVANIZED (2020)**



## BASIC AUGER, HX8-51 SILVER & GALVANIZED (2020)

ITEM	PART NO.	DESCRIPTION	NOTES
55	10-19589	BOLT 1/2" X 1-1/2" 9900536	
56	10-19588	BOLT 1/2" X 1-1/4" 9900588	
58	10-19546	BOLT 7/16" X 3"	
59	10-19545	7/16" X 2-1/4" NC BOLT GR 8 PLTD	
60	10-19981	7/16" X 1-3/4" NC BOLT GR 8 PLTD	
61	10-18698	BOLT 7/16" X 1-1/4" 9900219	
62	10-19542	BOLT, 7/16" X 1" PLTD 4500068	
63	10-19601	LOCKNUT, 3/4" PLTD	
64	10-19600	LOCKNUT 5/8" 9900831	
65	10-19599	LOCKNUT 1/2" 9900538	
66	10-19598	LOCKNUT 7/16" 9900643	
72	10-23079	CABLE THIMBLE PULLEY	
73	10-29251	5/8" X 2-3/4" NC BOLT GR 8 PLTD	

**BASIC AUGER, HX8-61 SILVER & GALVANIZED (2020)**

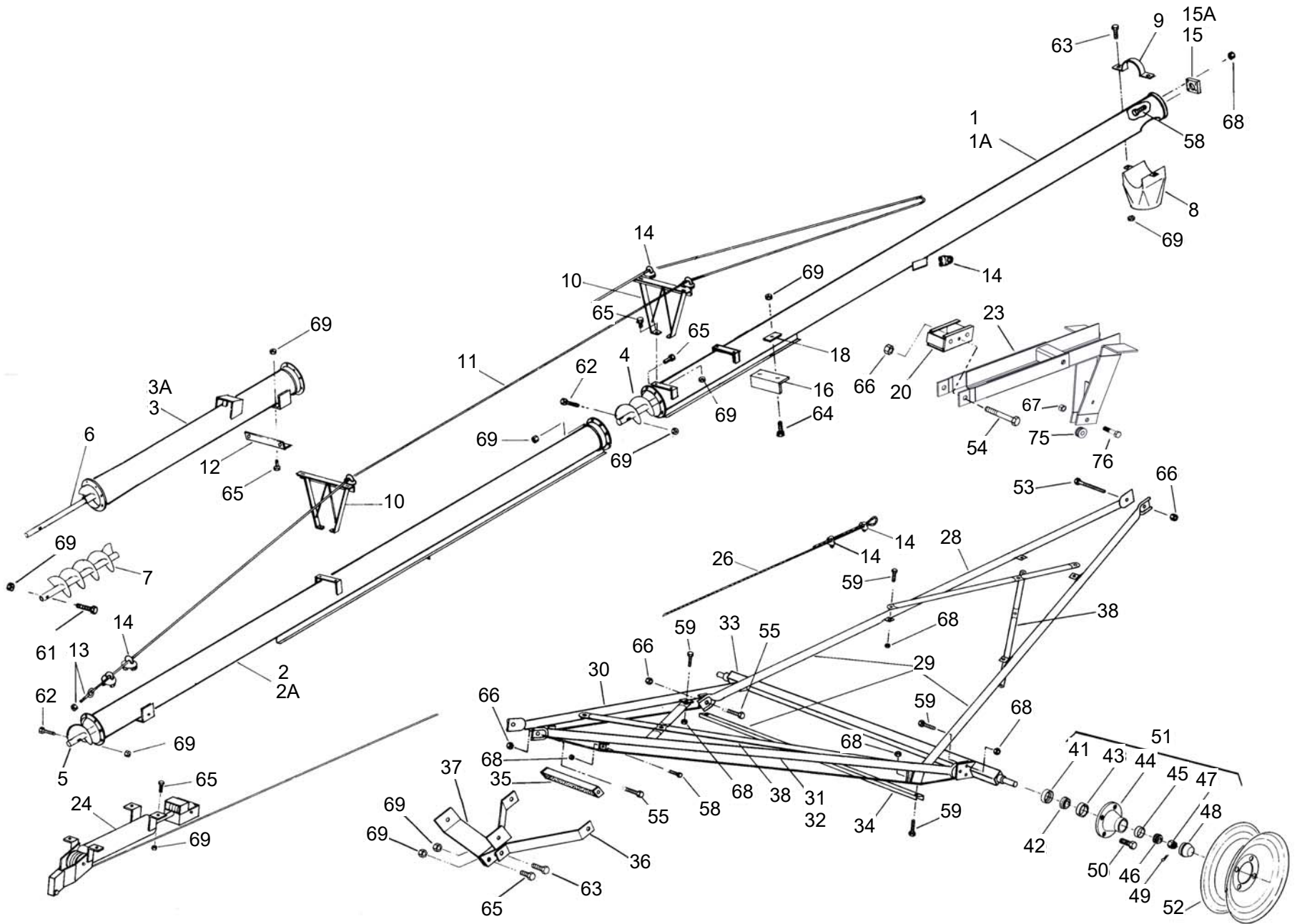


## BASIC AUGER, HX8-61 SILVER & GALVANIZED (2020)

ITEM	PART NO.	DESCRIPTION	NOTES
1	10-18880GA	HX 8 UPPER TUBE ONLY, GALV	GALVANIZED
1A	10-18882GA	HX8-51/61/71 UPPER TUBE BDL, GALV	GALVANIZED
1	10-18880SR	HX 8 UPPER TUBE ONLY, SR	SILVER
1A	10-18882SR	HX8-51/61/71 UPPER TUBE BDL, SR	SILVER
2	10-18896GA	HX8-61/71 MIDDLE TUBE ONLY, GA	GALVANIZED
2A	10-18898GA	HX8-61/71 MIDDLE TUBE BUNDLE, GALV	GALVANIZED
2	10-18896SR	HX8-61/71 MIDDLE TUBE ONLY, SR	SILVER
2A	10-18898SR	HX8-61/71 MIDDLE TUBE BUNDLE, SR	SILVER
3	10-22010GA	HX8-61 LOWER TUBE ONLY #, GALV	GALVANIZED
3A	10-22011GA	HX8-61 LOWER TUBE BUNDLE #, GALV	GALVANIZED
3	10-22010SR	HX8-61 LOWER TUBE ONLY #, SR	SILVER
3A	10-22011SR	HX8-61 LOWER TUBE BUNDLE #, SR	SILVER
4	10-18888	MK80 UPPER FLIGHT	
5	10-19552	W80 MIDDLE FLIGHT SECTION	
6	10-18910	MK80-61 LOWER FLIGHT W/BOOT FLIGHT	
7	10-18920	MK80 BOOT FLIGHT SECTION	
8	10-29306	SPOUT, 8 INCH ROLLED	
9	10-19460	CLAMP, W80 HALF	
10	10-19324WH	REGULAR TRUSS BRACKET	
11	10-18854	MK61 TRUSS CABLE	
12	10-18031	MK80 TRUSS ATTACH ANGLE	
13	10-19331	EYE BOLT/NUT 1/2" X5" 4503071	
14	10-19333	5/16" CABLE CLAMP (YELLOW ZINC)	
15	10-19567	BEARING, 1-1/4 PILLOW 4500067	
15A	10-18852	1-1/4" BEARING, LESS FLANGE	
16	10-18745	TRACK STOP	
18	10-18917	TRACK STOP WASHER	
20	10-18922RD	MK ROLLER TRACKSHOE, RED	
23	10-18930	LIFT ASSIST	
24	10-18034	CYLINDER ASSEMBLY	
26	10-18043	LIFT CABLE	
28	10-19524	UPPER LIFT ARM	
29	10-19534	MKX63/WR56/61 UPPER FRAME BDL	
30	10-19358	LOWER LEFT FRAME TUBE	
31	10-19359	LOWER RIGHT FRAME TUBE	
32	10-19369	MKX63/WR56/61 LOWER FRAME BDL	
33	10-19342	AXLE ASSEMBLY	
34	10-19378	CROSSMEMBER	
35	10-18914	SHORT CROSSMEMBER	
36	10-18916	STABILIZER BRACE	
37	10-18909	STABILIZER BRACKET	
38	10-19796	FRAME BRACE	
41	10-19264	HUB SEAL	
42	10-19265	CONE BEARING 4500059-3	
43	10-19266	CUP 4500059-4	
44	10-19267	REG HUB	
45	10-19268	CUP	
46	10-19269	BEARING CONE	
47	10-19270	3/4" NF SLOTTED NUT PLAIN	
48	10-19272	REGULAR DUST CAP	



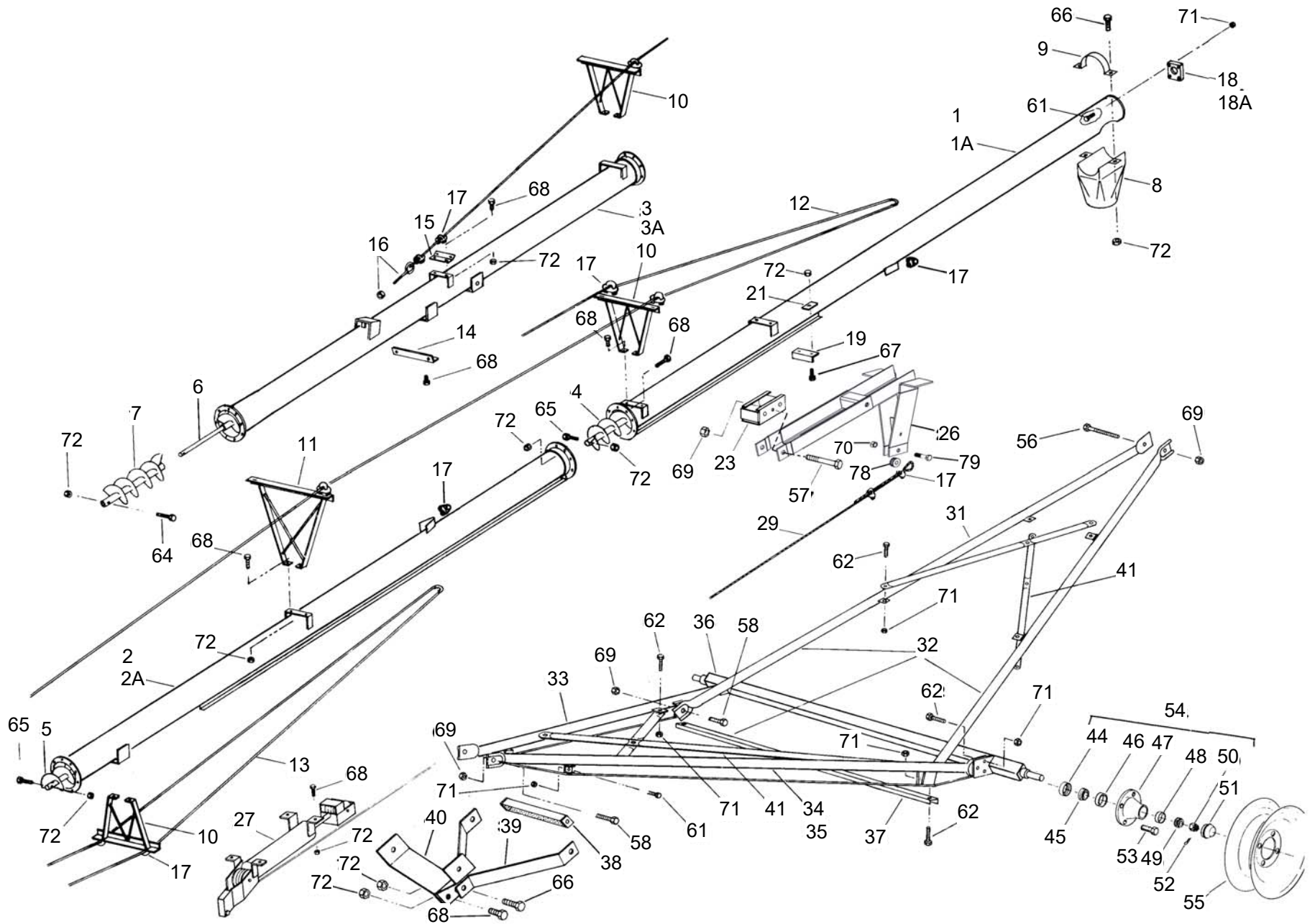
**BASIC AUGER, HX8-61 SILVER & GALVANIZED (2020)**



## BASIC AUGER, HX8-61 SILVER & GALVANIZED (2020)

ITEM	PART NO.	DESCRIPTION	NOTES
49	10-19271	COTTER PIN 1/8 X 1-1/2 C.ZINC PLTD	
50	10-20565	1/2" X 1" NF #5 WHEEL BOLT BLACK	
51	10-19467	REG HUB ASSEMBLY	
52	10-21330	15 X 4.5 X 4 BOLT WHEEL ASSEMBLY	
53	10-18094	3/4" X 7-1/2" NC BOLT GR 8 PLTD	
54	10-19593	3/4" X 6-1/2" NC BOLT GR 8 PLTD	
55	10-19592	BOLT 3/4" X 2" 9900823	
58	10-19589	BOLT 1/2" X 1-1/2" 9900536	
59	10-19588	BOLT 1/2" X 1-1/4" 9900588	
61	10-19546	BOLT 7/16" X 3"	
62	10-19545	7/16" X 2-1/4" NC BOLT GR 8 PLTD	
63	10-19981	7/16" X 1-3/4" NC BOLT GR 8 PLTD	
64	10-18698	BOLT 7/16" X 1-1/4" 9900219	
65	10-19542	BOLT, 7/16" X 1" PLTD 4500068	
66	10-19601	LOCKNUT, 3/4" PLTD	
67	10-19600	LOCKNUT 5/8" 9900831	
68	10-19599	LOCKNUT 1/2" 9900538	
69	10-19598	LOCKNUT 7/16" 9900643	
75	10-23079	CABLE THIMBLE PULLEY	
76	10-29251	5/8" X 2-3/4" NC BOLT GR 8 PLTD	

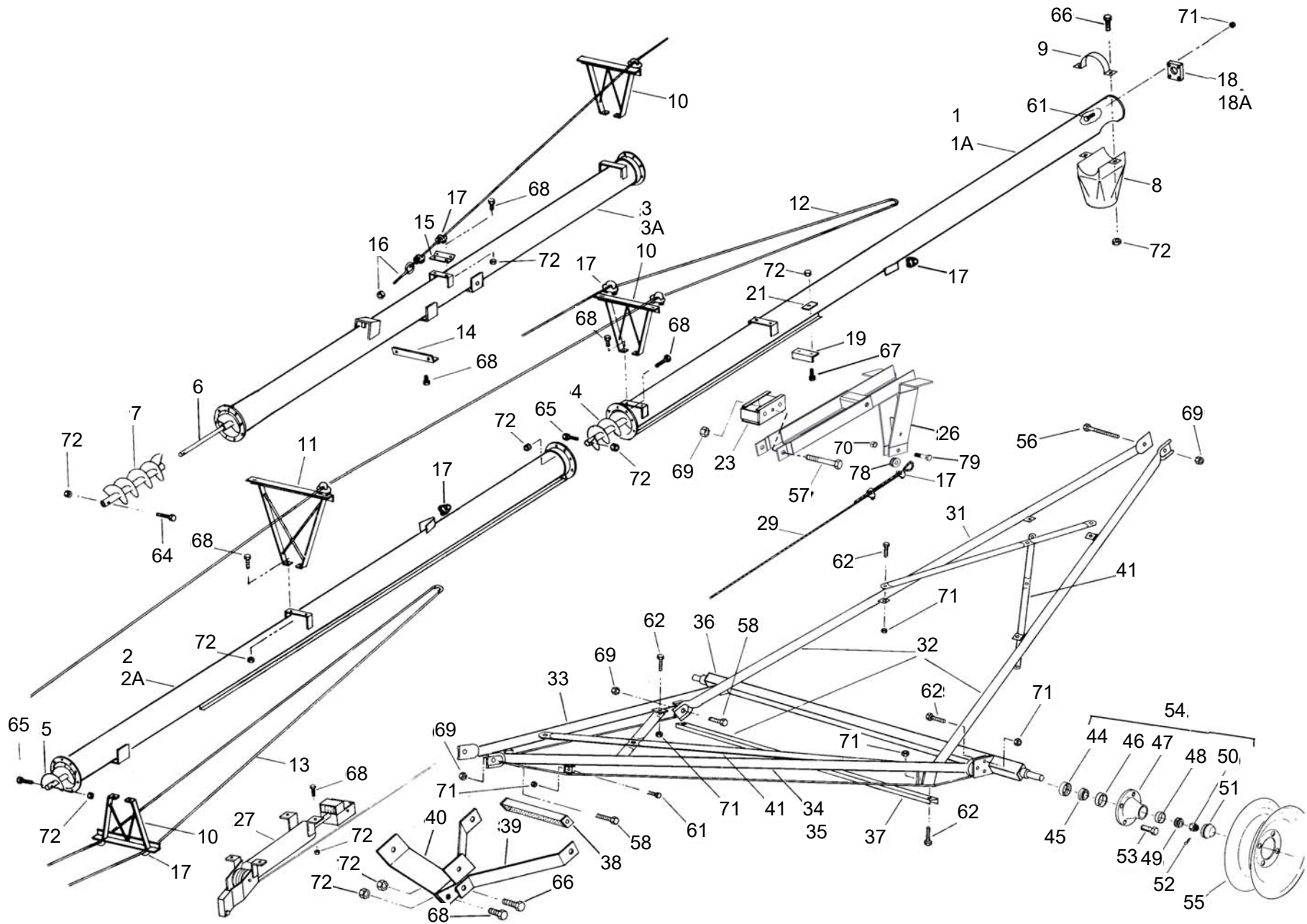
**BASIC AUGER, HX8-71 SILVER & GALVANIZED (2020)**



## BASIC AUGER, HX8-71 SILVER & GALVANIZED (2020)

ITEM	PART NO.	DESCRIPTION	NOTES
1	10-18880GA	HX 8 UPPER TUBE ONLY, GALV	GALVANIZED
1A	10-18882GA	HX8-51/61/71 UPPER TUBE BDL, GALV	GALVANIZED
1	10-18880SR	HX 8 UPPER TUBE ONLY, SR	SILVER
1A	10-18882SR	HX8-51/61/71 UPPER TUBE BDL, SR	SILVER
2	10-18896GA	HX8-61/71 MIDDLE TUBE ONLY, GA	GALVANIZED
2A	10-18898GA	HX8-61/71 MIDDLE TUBE BUNDLE, GALV	GALVANIZED
2	10-18896SR	HX8-61/71 MIDDLE TUBE ONLY, SR	SILVER
2A	10-18898SR	HX8-61/71 MIDDLE TUBE BUNDLE, SR	SILVER
3	10-22012GA	HX8-71 LOWER TUBE ONLY #, GALV	GALVANIZED
3A	10-22013GA	HX8-71 LOWER TUBE BUNDLE #, GALV	GALVANIZED
3	10-22012SR	HX8-71 LOWER TUBE ONLY #, SR	SILVER
3A	10-22013SR	HX8-71 LOWER TUBE BUNDLE #, SR	SILVER
4	10-18888	MK80 UPPER FLIGHT	
5	10-19552	W80 MIDDLE FLIGHT SECTION	
6	10-18912	MK80-71 LOWER FLIGHT W/BOOT FLIGHT	
7	10-18920	MK80 BOOT FLIGHT SECTION	
8	10-29306	SPOUT, 8 INCH ROLLED	
9	10-19460	CLAMP, W80 HALF	
10	10-19324WH	REGULAR TRUSS BRACKET	
11	10-19325RD	TRUSS BRACKET	
12	10-18855	MK71 A TRUSS CABLE	
13	10-17042	TRUSS CABLE	
14	10-18031	MK80 TRUSS ATTACH ANGLE	
15	10-19332	REG TRUSS ATTACH ANGLE BRACKET	
16	10-19331	EYE BOLT/NUT 1/2" X5" 4503071	
17	10-19333	5/16" CABLE CLAMP (YELLOW ZINC)	
18	10-19567	BEARING, 1-1/4 PILLOW 4500067	
18A	10-18852	1-1/4" BEARING, LESS FLANGE	
19	10-18745	TRACK STOP	
21	10-18917	TRACK STOP WASHER	
23	10-18922RD	MK ROLLER TRACKSHOE, RED	
26	10-18930	LIFT ASSIST	
27	10-18035	MK71 CYLINDER ASSEMBLY	
29	10-18044	MK71 LIFT CABLE	
31	10-19525	UPPER LIFT ARM	
32	10-19535	MKX73/WR71 UPPER FRAME BDL	
33	10-19360	LOWER LEFT FRAME TUBE	
34	10-19361	LOWER RIGHT FRAME TUBE	
35	10-19370	MKX73/WR71 LOWER FRAME BDL	
36	10-19343	AXLE ASSEMBLY	
37	10-19379	CROSSMEMBER	
38	10-18914	SHORT CROSSMEMBER	
39	10-18915	STABILIZER BRACE	
40	10-18909	STABILIZER BRACKET	
41	10-19796	FRAME BRACE	
44	10-19264	HUB SEAL	
45	10-19265	CONE BEARING 4500059-3	
46	10-19266	CUP 4500059-4	
47	10-19267	REG HUB	
48	10-19268	CUP	

**BASIC AUGER, HX8-71 SILVER & GALVANIZED (2020)**

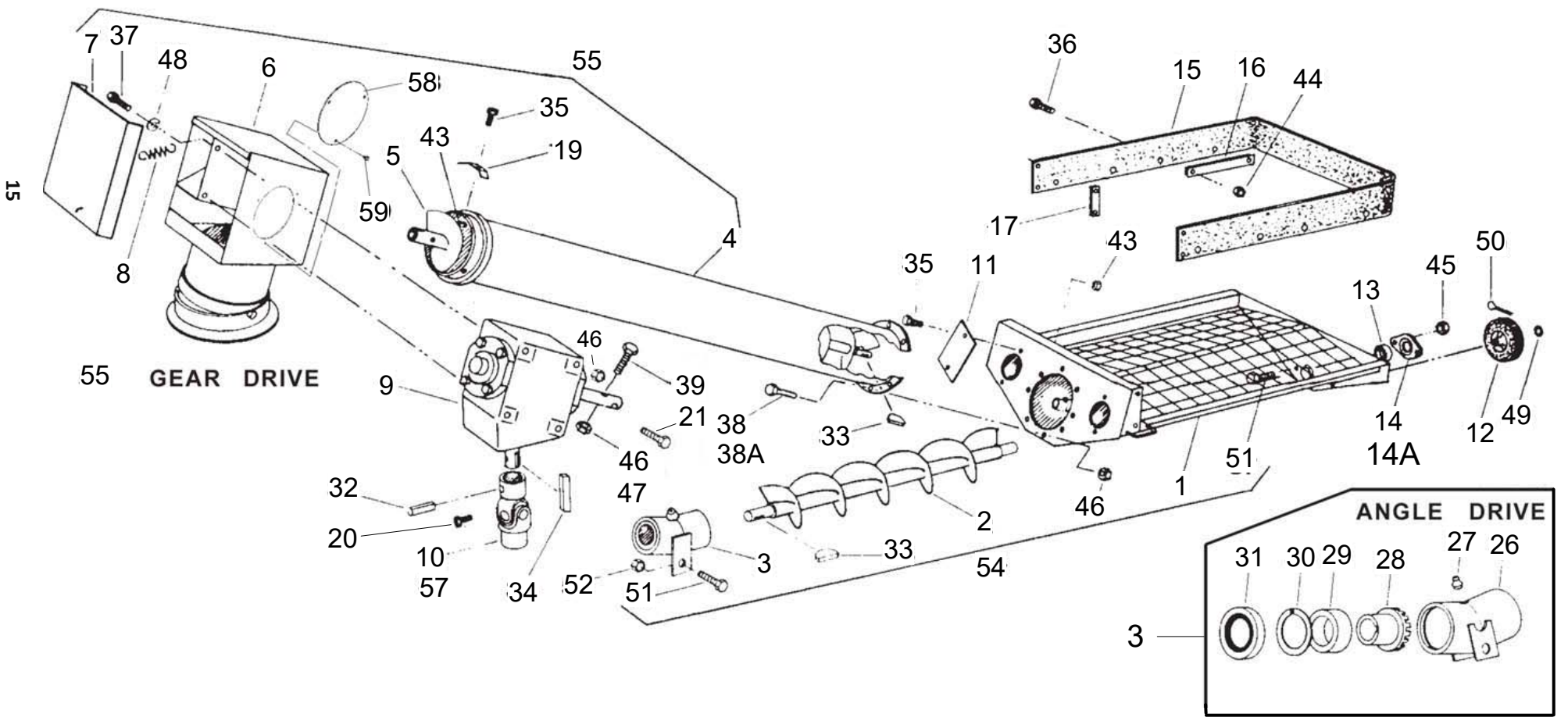


## BASIC AUGER, HX8-71 SILVER & GALVANIZED (2020)

ITEM	PART NO.	DESCRIPTION	NOTES
49	10-19269	BEARING CONE	
50	10-19270	3/4" NF SLOTTED NUT PLAIN	
51	10-19272	REGULAR DUST CAP	
52	10-19271	COTTER PIN 1/8 X 1-1/2 C.ZINC PLTD	
53	10-20565	1/2" X 1" NF #5 WHEEL BOLT BLACK	
54	10-19467	REG HUB ASSEMBLY	
55	10-21330	15 X 4.5 X 4 BOLT WHEEL ASSEMBLY	
56	10-18094	3/4" X 7-1/2" NC BOLT GR 8 PLTD	
57	10-19593	3/4" X 6-1/2" NC BOLT GR 8 PLTD	
58	10-19592	BOLT 3/4" X 2" 9900823	
61	10-19589	BOLT 1/2" X 1-1/2" 9900536	
62	10-19588	BOLT 1/2" X 1-1/4" 9900588	
64	10-19546	BOLT 7/16" X 3"	
65	10-19545	7/16" X 2-1/4" NC BOLT GR 8 PLTD	
66	10-19981	7/16" X 1-3/4" NC BOLT GR 8 PLTD	
67	10-18698	BOLT 7/16" X 1-1/4" 9900219	
68	10-19542	BOLT, 7/16" X 1" PLTD 4500068	
69	10-19601	LOCKNUT, 3/4" PLTD	
70	10-19600	LOCKNUT 5/8" 9900831	
71	10-19599	LOCKNUT 1/2" 9900538	
72	10-19598	LOCKNUT 7/16" 9900643	
78	10-23079	CABLE THIMBLE PULLEY	
79	10-29251	5/8" X 2-3/4" NC BOLT GR 8 PLTD	



SWING HOPPER, HX8 (2020)

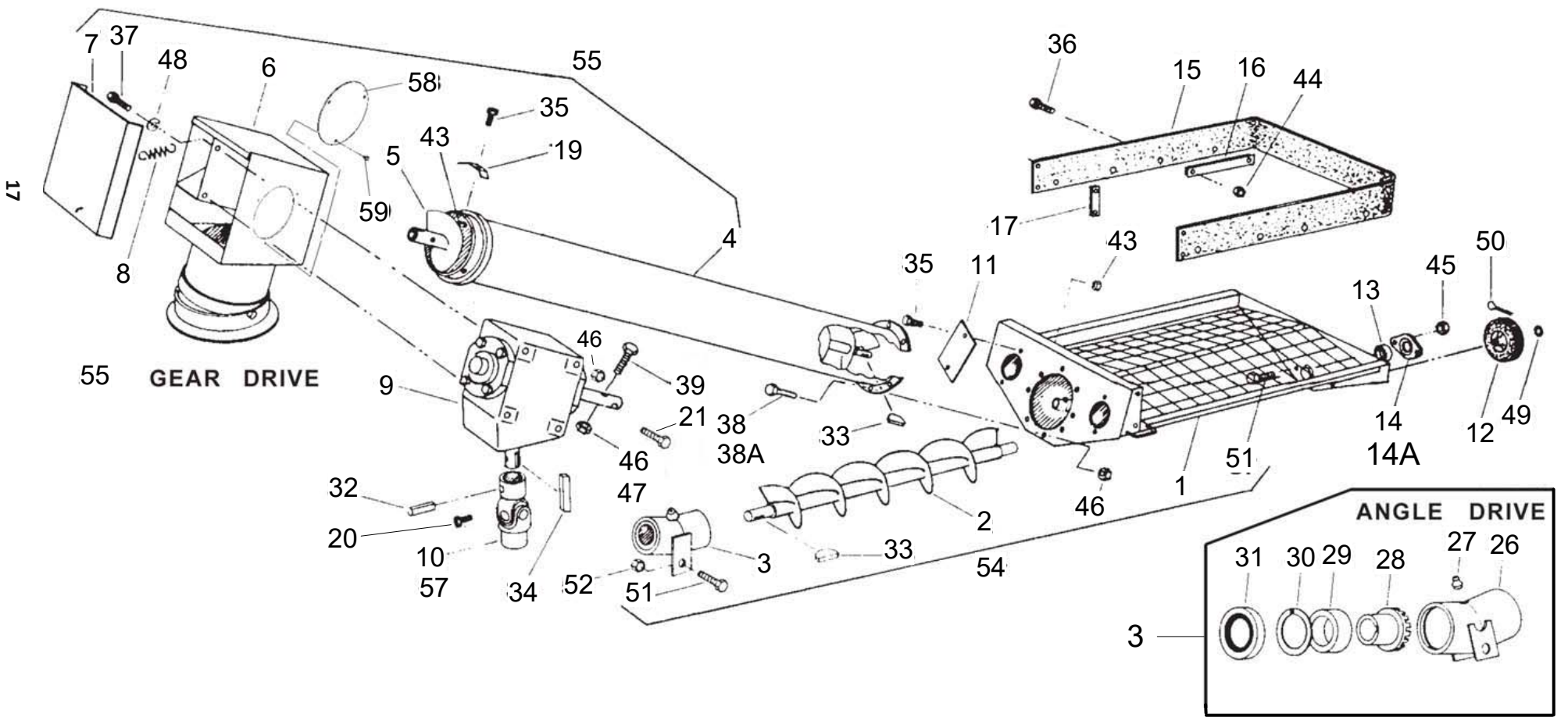


## SWING HOPPER, HX8 (2020)

ITEM	PART NO.	DESCRIPTION
1	10-21030	MK80 HOPPER ONLY
2	10-18869	MK80 HOPPER FLIGHT
3	10-18860	ANGLE DRIVE
4	10-18865	MK80 SWING TUBE ONLY
5	10-18871	MK80 SWING TUBE FLIGHT
6	10-18867	MK80 SPOUT HEAD HOUSING
7	10-18875	MK80 OVERFLOW LID
8	10-18728	MK LID SPRING
9	10-18848	MK80 UPPER GEARBOX
10	10-18727	MK SPLINE U-JOINT
11	10-18874	ACCESS PLATE
12	10-17522	LOW PRO HOPPER WHEEL
13	10-18853	EFH206-20 BEARING
14	10-18695	1-1/4" FLANGE, 2-HOLE
14A	10-19322	1-1/4 2 HOLE FLANGE BEARING
15	10-18873	RUBBER EXTENSION
16	10-18054	ATTACH STRAP, 13"
17	10-18878	4-3/4 STRAP
19	10-18877	MK SPOUT ATTACH PLATE
20	10-19225	SETSCREW, 3/8" UNC X 3/8" REGULAR
21	10-19981	7/16" X 1-3/4" NC BOLT GR 8 PLTD
26	10-18942	HOUSING
27	10-19222	GREASE FTG ZERK 1/4-28 SAE CZ PLTD
28	10-18943	GEAR
29	10-18944	BUSHING
30	10-18945	RETAINING RING
31	10-18946	ANGLE DRIVE SEAL
32	10-18079	COILED SPRING PIN 5/16 X 2 PLN.O
33	10-19224	1/4" X 1" WOODRUFF KEY (4503192)
34	10-19606	KEY, 1/4" X 1-1/2" SQ 700615
35	10-19537	1/4X1/2 BOLT WSHR HEAD9900170
36	10-19538	BOLT,5/16X3/4 PLTD 9900797
37	10-19540	BOLT, 3/8 X 3/4" PLT 9900530
38	10-19542	BOLT, 7/16" X 1" PLTD 4500068
39	10-17747	BOLT 7/16" X 2-1/2" PLTD
42	10-19589	BOLT 1/2" X 1-1/2" 9900536
43	10-19594	WHIZNUT 1/4" 9900130
44	10-19595	WHIZNUT 5/16" 9900129
45	10-19596	WHIZNUT 3/8" 9900788
46	10-19598	LOCKNUT 7/16" 9900643
47	10-19599	LOCKNUT 1/2" 9900538
48	10-19604	LOCKWASHER 3/8" PLTD 9900528
49	10-18948	RIM WASHER, 3/4" PLTD
50	10-18155	COTTER PIN 3/16 X 1-1/4 C.ZINC PLTD
51	10-18955	BOLT 3/8" X 1" 9900699
52	10-18956	3/8" 2-WAY LOCKNUT
53	10-18957	MK80H MOUNT PLATE STRAP
54	10-21032	MK80 HOPPER ASSEMBLY
55	10-18950	MK80 GEAR SWING TUBE
57	10-17029	CROSS KIT



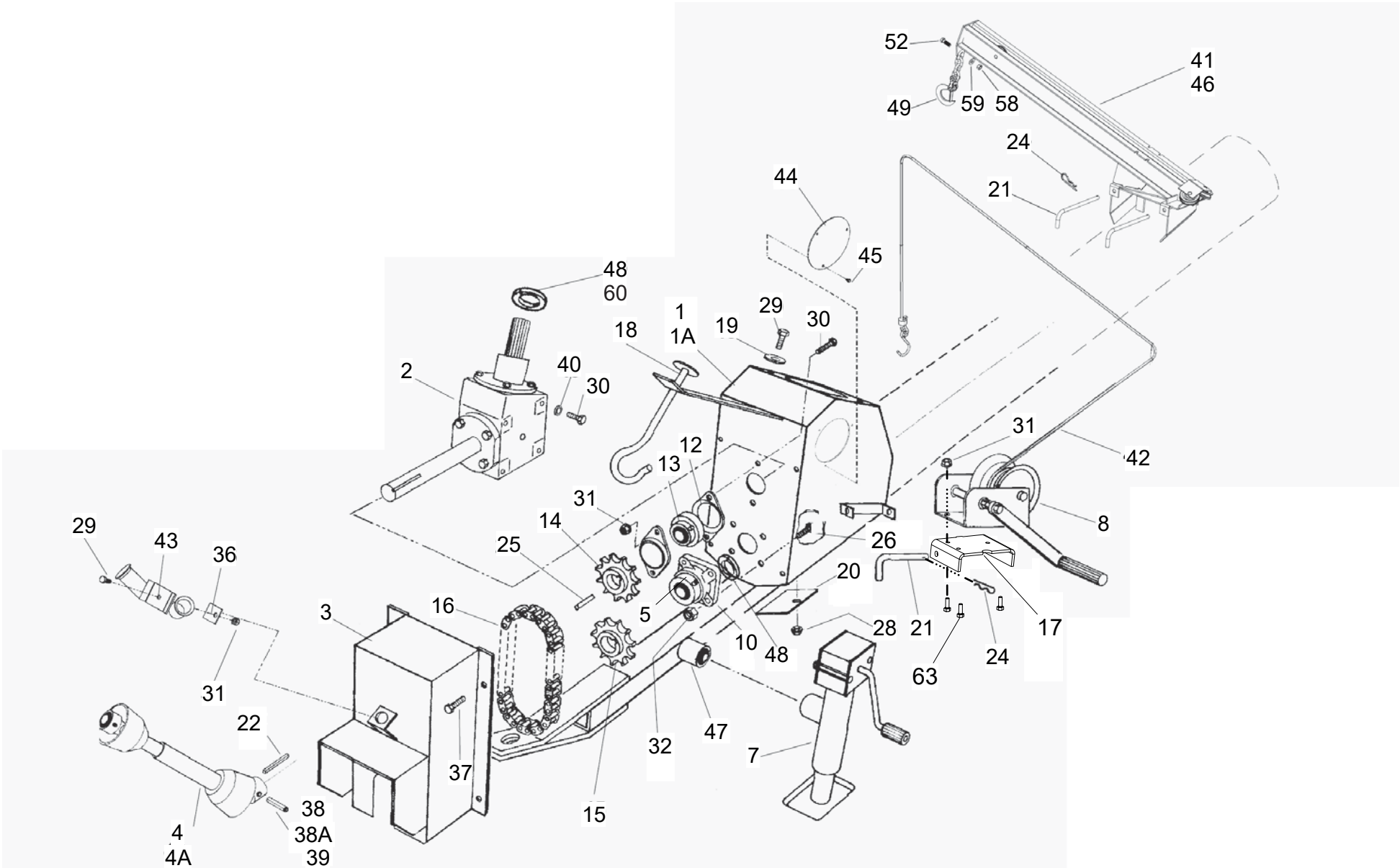
SWING HOPPER, HX8 (2020)



# SWING HOPPER, HX8 (2020)

ITEM	PART NO.	DESCRIPTION
58	10-17374	MK ACCESS COVER
59	10-19274	SELF TAPPING SCREW 9900132

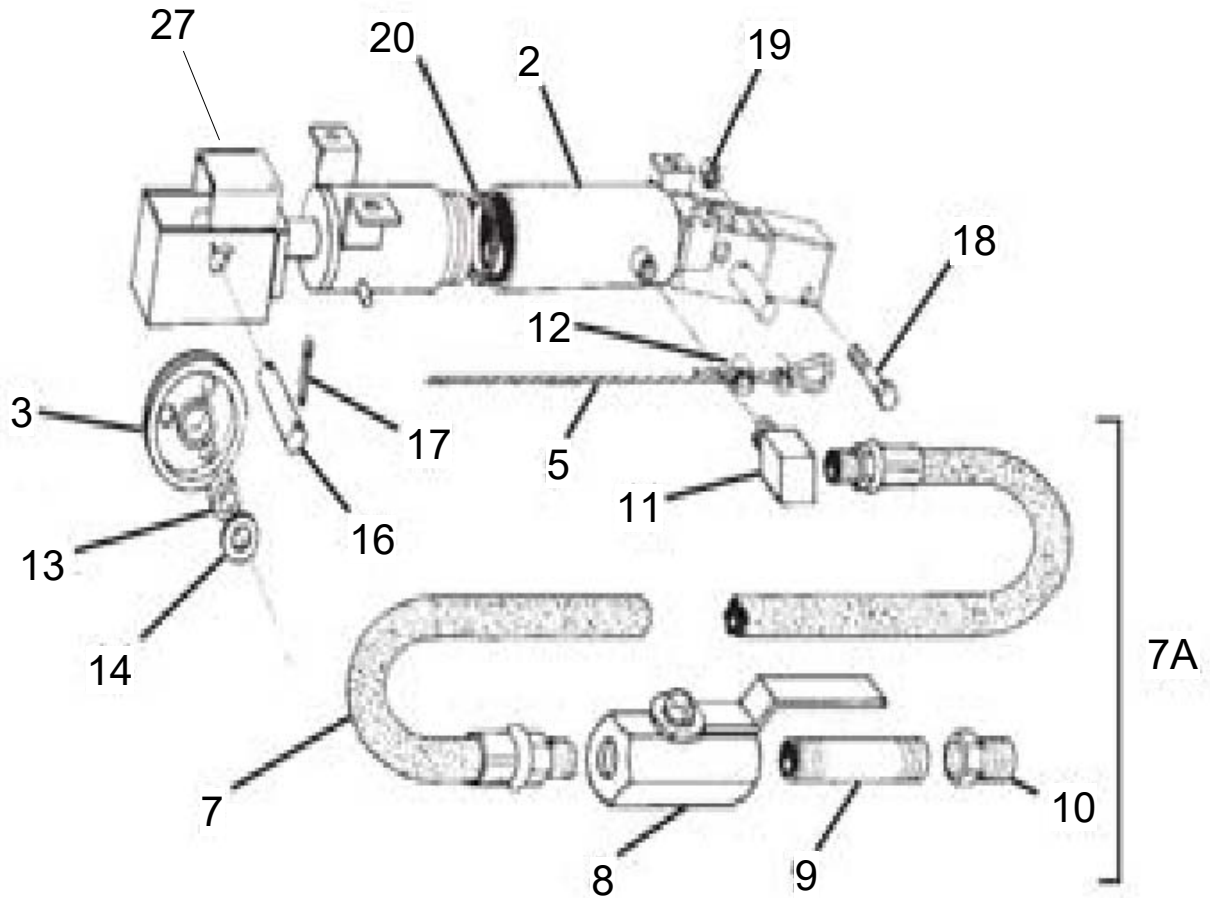
**BOOT & HOPPER LIFT ASSEMBLY, HX8 (2020)**



## BOOT & HOPPER LIFT ASSEMBLY, HX8 (2020)

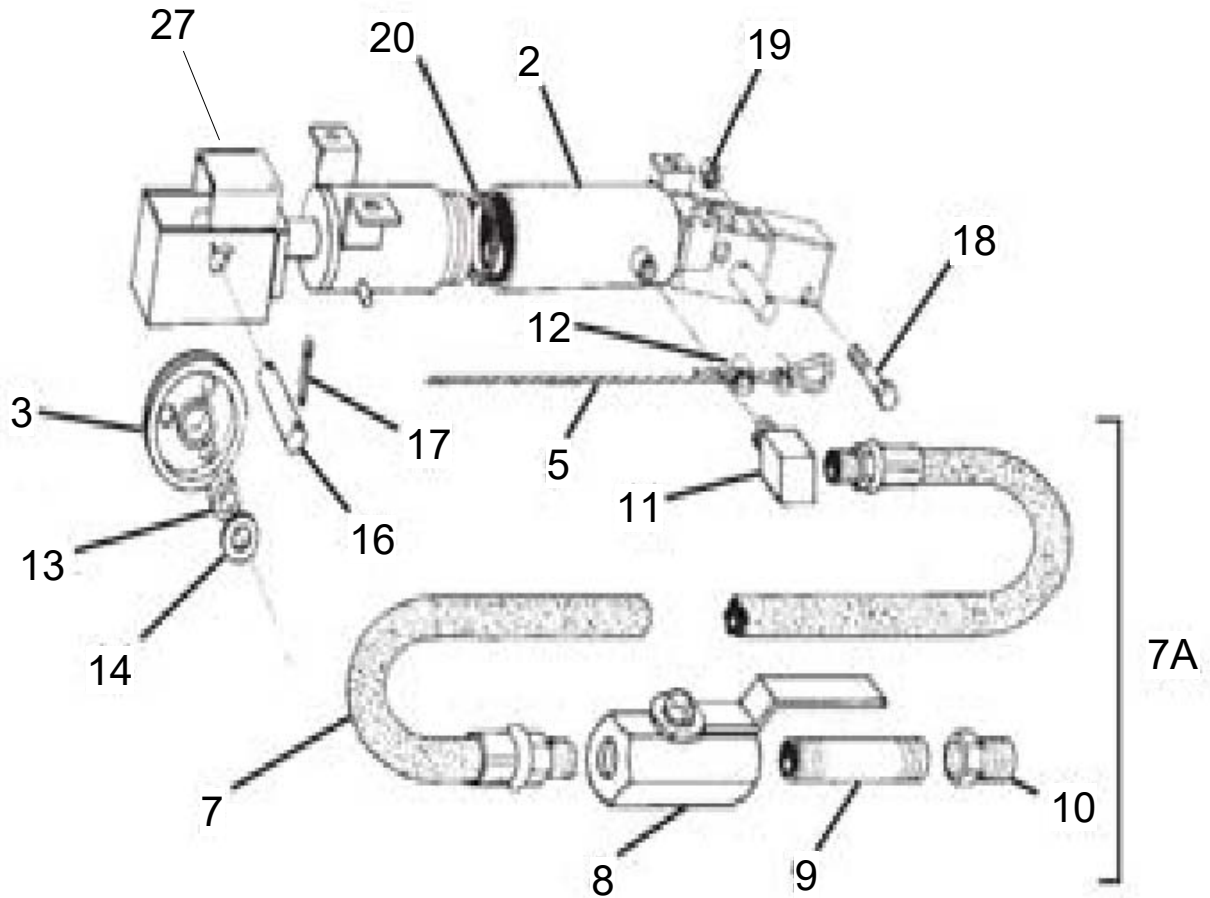
ITEM	PART NO.	DESCRIPTION
1	10-18742	MK80 BOOT ONLY
1A	10-17450	MK80 GEAR BOOT ASSEMBLY
2	10-18850	MK80 LOWER GEARBOX
3	10-18744	SPROCKET COVER
4	10-18484	BLUE END CV PTO SHAFT
5	10-12623	COLLAR, LOCK 1-1/4" ECL
7	10-18080	MK JACK
8	10-19152	WINCH & HANDLE
10	10-19567	BEARING, 1-1/4" PILLOW 4500067
12	10-18695	1-1/4" FLANGE, 2-HOLE
13	10-18853	EFH206-20 BEARING
14	10-18710	50B20 X 1-1/4" SPROCKET
15	10-18710	50B20 X 1-1/4" SPROCKET
16	10-18725	MK80 CHAIN
17	200425	WINCH BRACKET (2019)
17	200431	MK80/100 WINCH MOUNT ASSY (2019)
18	10-18754	MK TRANSPORT SADDLE
19	10-18792	HOLD DOWN WASHER
20	10-17373	MK80 CLEANOUT LID
21	10-18074	MOUNT PIN
22	10-19607	KEY, 1/4" X 3" SQ
24	10-19463	210 HITCH PIN 4500070
25	10-19606	KEY, 1/4" X 1-1/2" SQ 700615
26	10-19589	BOLT 1/2" X 1-1/2" 9900536
28	10-19595	WHIZNUT 5/16" 9900129
29	10-18184	BOLT 3/8" X 3/4", BLACK
30	10-19540	BOLT, 3/8 X 3/4" PLT 9900530
31	10-19596	WHIZNUT 3/8" 9900788
32	10-19599	LOCKNUT 1/2" 9900538
37	10-19538	BOLT,5/16X3/4 PLTD 9900797
38	10-18079	COILED SPRING PIN 5/16 X 2 PLN.O
40	10-19604	LOCKWASHER 3/8" PLTD 9900528
41	10-21972	MKX/X100 HOPPER LIFT ARM ASSY
42	10-17376	MK LP HOPPER CABLE
44	10-17374	MK ACCESS COVER
45	10-19274	SELF TAPPING SCREW 9900132
46	10-21629	MKX/X10 HOPPER LIFT ARM
47	10-18116	PIPE MOUNT, WELD-ON
48	10-17370	1-1/4" WIDE RIM WASHER
49	10-21818	MKX/X10 LIFTARM TRANSPORT HOOK ASSY
52	10-18698	BOLT 7/16" X 1-1/4" 9900219
58	10-17593	7/16" NC NYLON LOCKNUT GR 5 YLW PLT
59	10-17182	7/16" TRACK WASHER
63	10-18955	BOLT 3/8" X 1" 9900699

# HYDRAULIC LIFT CYLINDER, HX51 (2020)



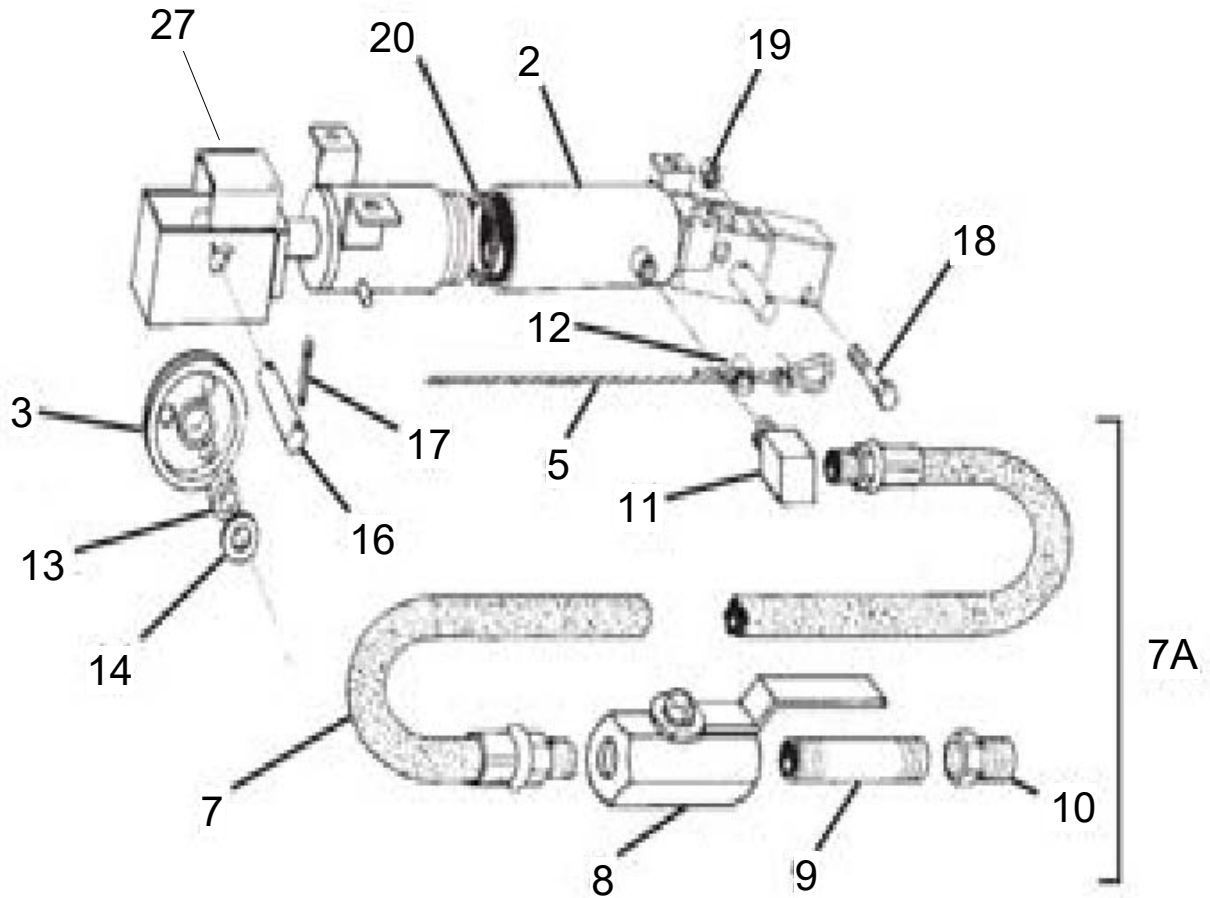
ITEM	PART NO.	DESCRIPTION
2	10-19915	HYDRAULIC CYLINDER ONLY
3	10-19918	PULLEY, 5.5, CYL
5	10-18042	LIFT CABLE
7	10-18081	MK51 HYD CYL HOSE
7A	10-17447	MK51 CYL HOSE ASSEMBLY
8	10-18084	BALL VALVE
9	10-18085	PIPE NIPPLE
10	10-18086	REDUCER BUSHING
11	10-22191	STEEL ELBOW 6MORB X 3/8 NSPM
12	10-19333	5/16" CABLE CLAMP (YELLOW ZINC)
13	10-18088	P245-6POROUS BRONZE BUSHING
14	10-18097	1" RIM WASHER 9900052-2
16	10-18089	HYD CYLINDER PIN
17	10-18098	COTTER PIN 1/4 X 1-3/4 C.ZINC PLTD
18	10-18093	5/8" X 3-1/2" NC BOLT GR 5 PLTD
19	10-19600	LOCKNUT 5/8" 9900831
20	10-18542	CTD/RAM CYLINDER SEAL
27	10-18033	HYDRAULIC CYLINDER ASSEMBLY

# HYDRAULIC LIFT CYLINDER, HX61 (2020)



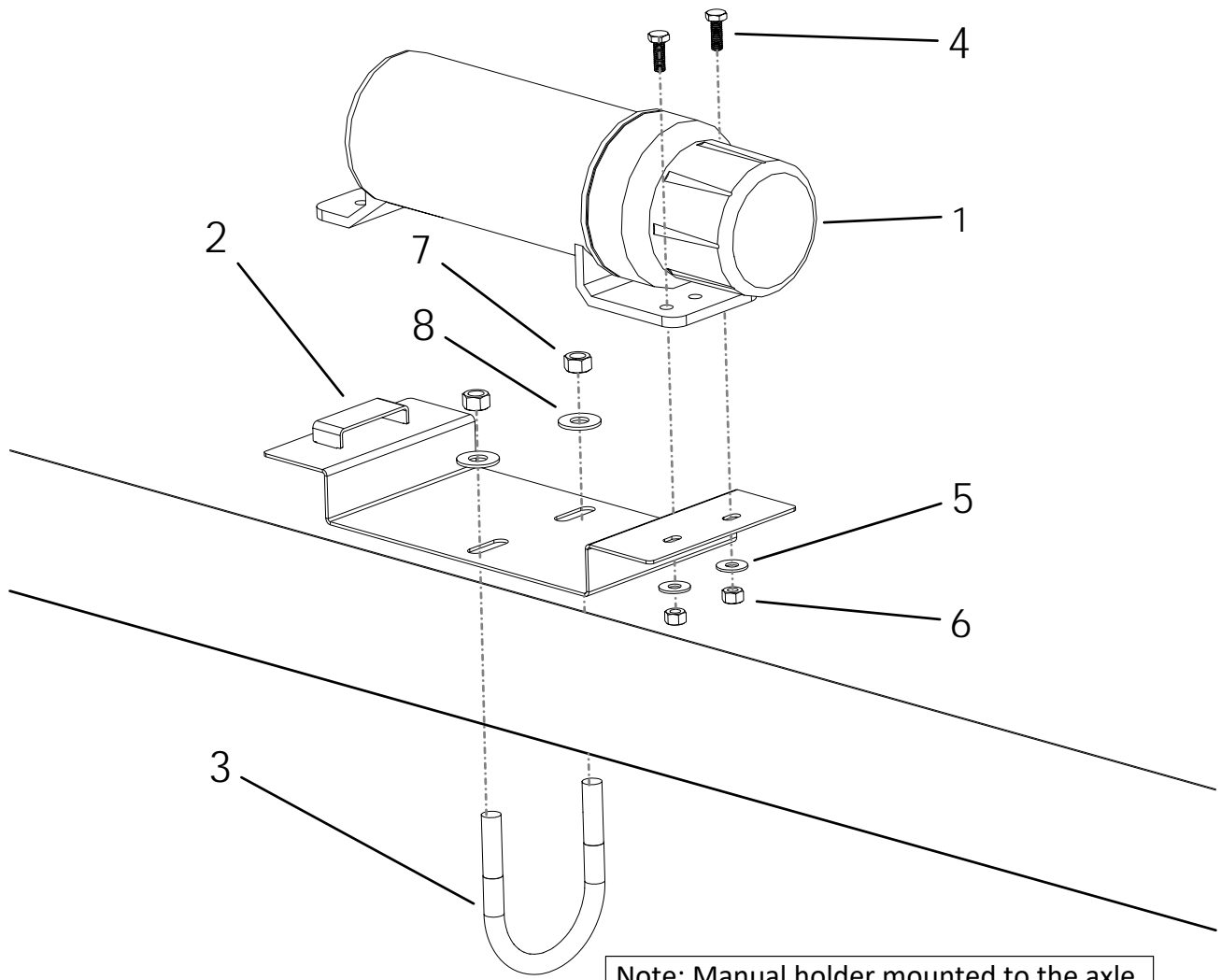
ITEM	PART NO.	DESCRIPTION
2	10-19916	CYLINDER ONLY
3A	10-19918	PULLEY, 5.5, CYL
5	10-18043	LIFT CABLE
7	10-18082	MK61 HYD CYL HOSE
7A	10-17448	MK61 CYL HOSE ASSEMBLY
8	10-18084	BALL VALVE
9	10-18085	PIPE NIPPLE
10	10-18086	REDUCER BUSHING
11	10-22191	STEEL ELBOW 6MORB X 3/8 NSPM
12	10-19333	5/16" CABLE CLAMP (YELLOW ZINC)
13	10-18088	P245-6POROUS BRONZE BUSHING
14	10-18097	1" RIM WASHER 9900052-2
16	10-18089	HYD CYLINDER PIN
17	10-18098	COTTER PIN 1/4 X 1-3/4 C.ZINC PLTD
18	10-18093	5/8" X 3-1/2" NC BOLT GR 5 PLTD
19	10-19600	LOCKNUT 5/8" 9900831
20	10-18542	CTD/RAM CYLINDER SEAL
27	10-18034	CYLINDER ASSEMBLY

# HYDRAULIC LIFT CYLINDER, HX71 (2020)



ITEM	PART NO.	DESCRIPTION
2	10-19917	MK71 HYD CYLINDER ONLY
3A	10-19918	PULLEY, 5.5, CYL
5	10-18044	MK71 LIFT CABLE
7	10-18083	MK71 HYD CYL HOSE
7A	10-17449	MK71 CYL HOSE ASSEMBLY
8	10-18084	BALL VALVE
9	10-18085	PIPE NIPPLE
10	10-18086	REDUCER BUSHING
11	10-22191	STEEL ELBOW 6MORB X 3/8 NSPM
12	10-19333	5/16" CABLE CLAMP (YELLOW ZINC)
13	10-18088	P245-6POROUS BRONZE BUSHING
14	10-18097	1" RIM WASHER 9900052-2
16	10-18089	HYD CYLINDER PIN
17	10-18098	COTTER PIN 1/4 X 1-3/4 C.ZINC PLTD
18	10-18093	5/8" X 3-1/2" NC BOLT GR 5 PLTD
19	10-19600	LOCKNUT 5/8" 9900831
20	10-18542	CTD/RAM CYLINDER SEAL
27	10-18035	MK71 CYLINDER ASSEMBLY

# MANUAL HOLDER HX8 (2020)



Note: Manual holder mounted to the axle.

ITEM	PART NO.	DESCRIPTION
1	10-29755	WATERPROOF PLASTIC MANUAL HOLDER
2	10-29798	MANUAL HOLDER MOUNT, WESTFIELD
3	10-19610	3/8" X 2-1/2" U-BOLT PLTD
4	9900800	1/4" X 3/4" NC BOLT GR 5 PLTD
5	9900683	FLAT WASHER, 1/4" PLTD
6	10-28449	LOCKNUT 1/4" 9900562
7	10-17402	LOCKNUT 3/8" 0601007
8	10-17392	WASHER 3/8" FLAT PLTD 0601008





514 W. Crawford Street  
Clay Center, Kansas, 67432 USA  
Phone: (800) 523-6993 or (785) 632-2161  
Fax: (785) 632-5964  
Website: [www.hutchinson-mayrath.com](http://www.hutchinson-mayrath.com)  
Email: [sales@hutchinson-mayrath.com](mailto:sales@hutchinson-mayrath.com)

©Ag Growth International Inc. 2020  
Printed in Canada