



**HX130 SERIES**

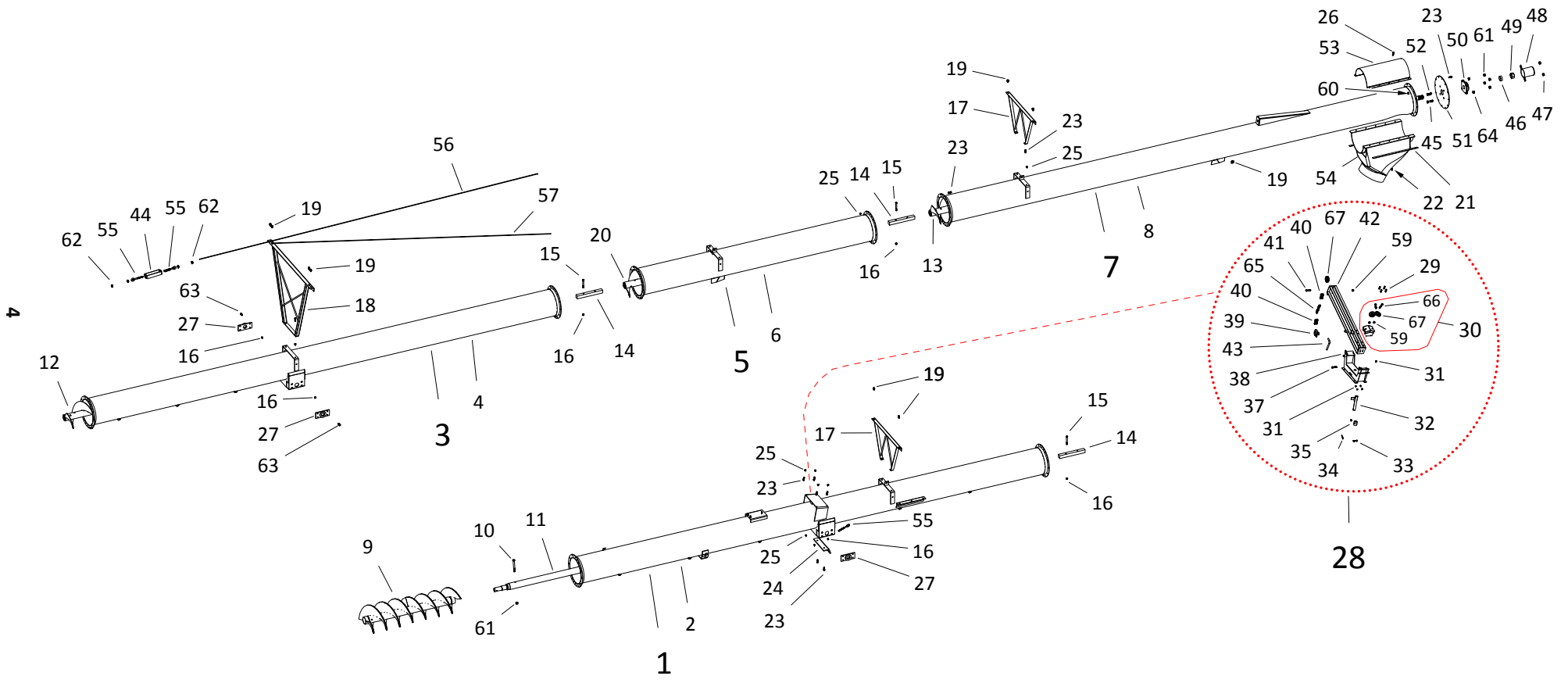
**PORTABLE GRAIN AUGER  
PARTS MANUAL**



# TABLE OF CONTENTS

DESCRIPTION	PAGE
HX130-74 TUBE ASSEMBLY	4
HX130-84 TUBE ASSEMBLY	8
HX130-94 TUBE ASSEMBLY	12
HX130-74 FRAME ASSEMBLY	16
HX130-84 FRAME ASSEMBLY	20
HX130-94 FRAME ASSEMBLY	22
HX130-74 HYDRAULIC CYLINDER ASSEMBLY	24
HX130-84 HYDRAULIC CYLINDER ASSEMBLY	26
HX130-94 HYDRAULIC CYLINDER ASSEMBLY	28
HX130 BOOT	30
HX130 SWING TUBE	34
HX130 HOPPER	36
A263 REVERSER	38
A262 SPEED REDUCER	40
A266 HYDRAULIC WINCH	42
A335 HYDRAULIC VALVE	44
A334HM ELECTRIC LANDING GEAR POWER SWING-13"	46
A333HM HYDRAULIC LANDING GEAR POWER SWING-13"	48
A267 RIGHT ANGLE DRIVE KIT	52
UPPER GEARBOX (27560)	54
LOWER GEARBOX (29085)	56
HX130-74 CONSTANT VELOCITY PTO SHAFT (WEASLER)	58
HX130-84, 94 CONSTANT VELOCITY PTO SHAFT (WEASLER)	60
WORK LIGHT KIT (HX130-74)	62
WORK LIGHT KIT (HX130-84 & 94)	64

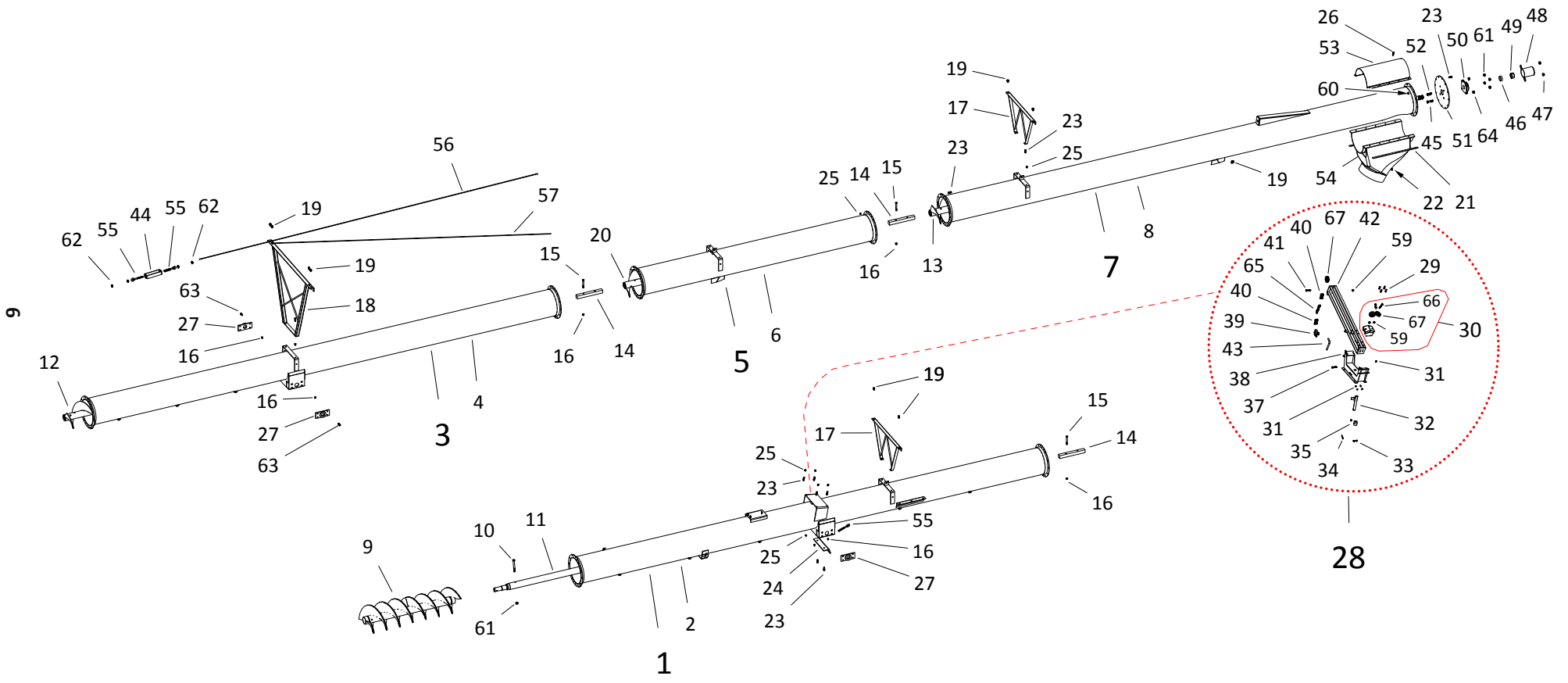
# HX130-74 TUBE ASSEMBLY



## HX130-74 TUBE ASSEMBLY

ITEM	PART NO.	DESCRIPTION
1	10-24369	LOWER TUBE BDL
2	10-24368	LOWER TUBE
3	10-24363	LOWER MIDDLE TUBE BDL
4	10-24362	LOWER MIDDLE TUBE
5	10-24359	UPPER MIDDLE TUBE BDL 10'
6	10-24358	UPPER MIDDLE TUBE 10'
7	10-24357	UPPER TUBE BDL
8	10-24356	UPPER TUBE
9	10-24298	BOOT FLIGHT
10	10-17632	BOLT, 5/8" x 5 1/2" GR8
11	200530	LOWER FLIGHT W/ BOOT FLIGHT
12	10-29987	MIDDLE FLIGHT
13	10-29986	UPPER FLIGHT
14	10-29985	FLIGHT CONNECTING SHAFT
15	10-18947	BOLT, 1/2" X 4" NC GR 8 PLTD
16	10-17750	1/2" NC NYLON LOCKNUT GR 5 YLW PLTD
17	10-18988WH	STD. TRUSS BRACKET
18	10-20017	HIGH TRUSS TOWER
19	10-19333	5/16" CABLE CLAMP
20	10-29988	FLIGHT, 10' EXTENSION
21	10-24396	REINFORCEMENT BAR, HX13 SPOUT
22	10-19980	5/16" NC NYLON LOCKNUT PLTD
23	10-18698	BOLT, 7/16" X 1-1/4"
24	10-20105	TRUSS CABLE ATTACH BRACKET
25	10-17593	7/16" NC NYLON LOCKNUT GR5 YLW PLTD
26	10-27788	5/16" X 1-1/2" NC BOLT GR 5 PLTD
27	10-29962HM	FRAME ATTACH SPACER
28	10-20030	LIFT ARM ASSEMBLY
29	10-23134	LIFT ARM PULLEY GUIDE ASSEMBLY (2017)
30	10-23134	LIFT ARM PULLEY GUIDE ASSEMBLY (2017)
31	10-17402	3/8" NC NYLON LOCKNUT PLTD
32	10-20031	LIFT ARM SWIVEL
33	10-28450	BOLT, 3/8" X 1-3/4" GR5
34	10-19463	210 HITCH PIN
35	10-20360	LIFT ARM PIVOT PIN RING
37	10-27979	BOLT, 3/8" X 2" GR5
38	10-20032	LIFT ARM BASE
39	10-28997	HOOK W LATCH
40	10-20083	5/16" MIDLINK
41	10-17403	BOLT, 1/2" X 2-1/2" GR5
42	10-20028	LIFT ARM
43	10-19648	SADDLE PIN
44	10-17464	TURN BUCKLE
45	10-27589	BOLT, 5/8" X 2-1/2" GR8
46	10-21171	BUSHING THRUST ADJUSTER
47	10-27588	FLANGE NUT, 5/8"
48	10-27576WH	COVER, THRUST ADJUSTER
49	10-27587	HEX NUT, 1-1/2" UNF
50	10-18518	1-3/4" BEARING, 4 BOLT
51	10-29231WH	FLIGHT BEARING MOUNT PLATE

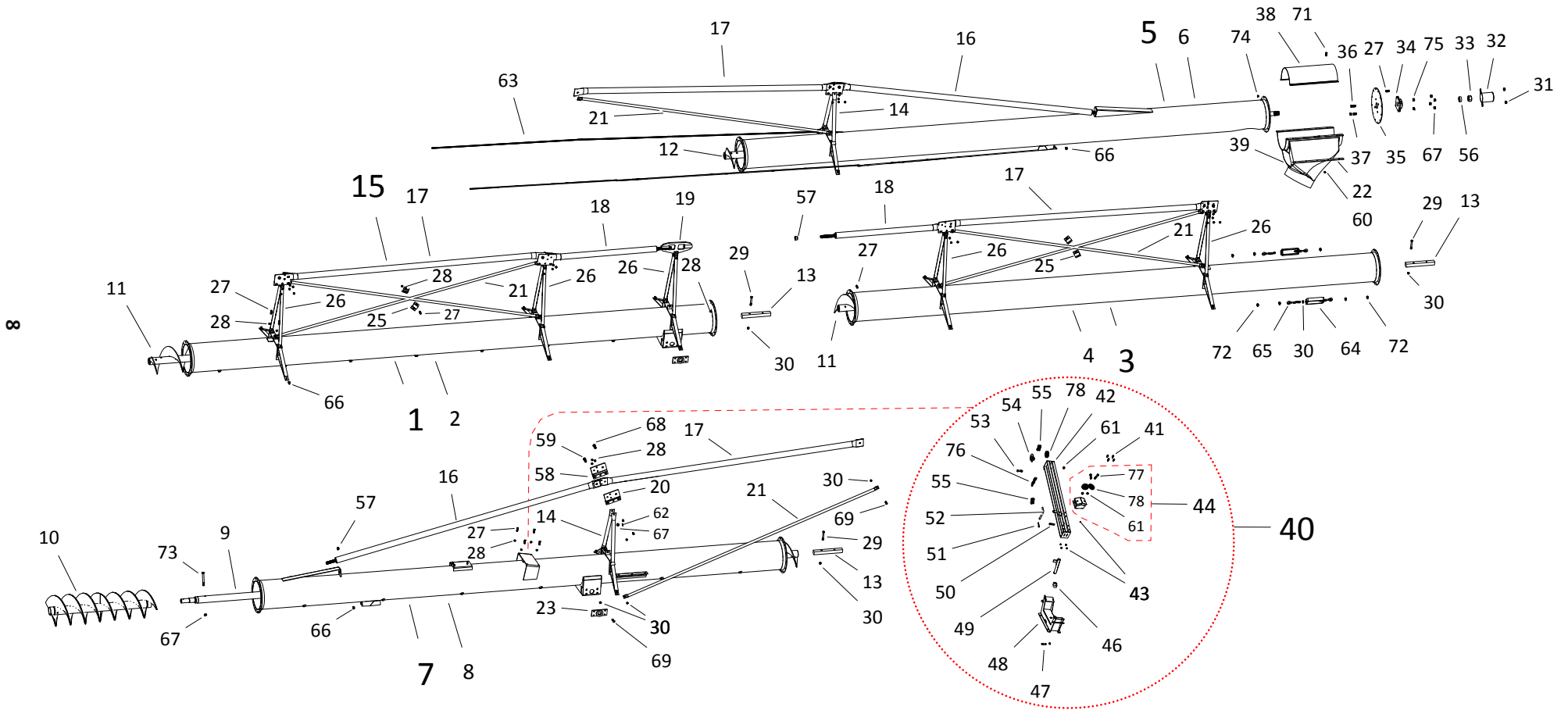
# HX130-74 TUBE ASSEMBLY



## HX130-74 TUBE ASSEMBLY

ITEM	PART NO.	DESCRIPTION
52	10-18544	BOLT, 5/8" X 1-3/4" GR5
53	10-24397	SPOUT BACK BAND, HX13 SPOUT
54	10-24395	60 DEG PLASTIC SPOUT, HX130
55	10-19331	1/2" EYEBOLT
56	10-27503	85' 6" CABLE
57	10-27502	73' CABLE
59	10-19599	1/2" NC NYLON LOCKNUT GR 2 PLTD
60	10-19598	LOCKNUT, 7/16"
61	10-19600	5/8" NYLON LOCKNUT
62	10-18990	3/8" CABLE CLAMP
63	10-19589	1/2" X 1-1/2" BOLT GR8
64	10-17262	5/8" LOCK WASHER
65	10-21432	CHAIN, 5/16" GRADE 30 (4 LINKS)
66	9900560	BOLT, 1/2" x 2-1/4" GR5 PLTD
67	10-21494	LIFT ARM PULLEY ASSEMBLY

# HX130-84 TUBE ASSEMBLY

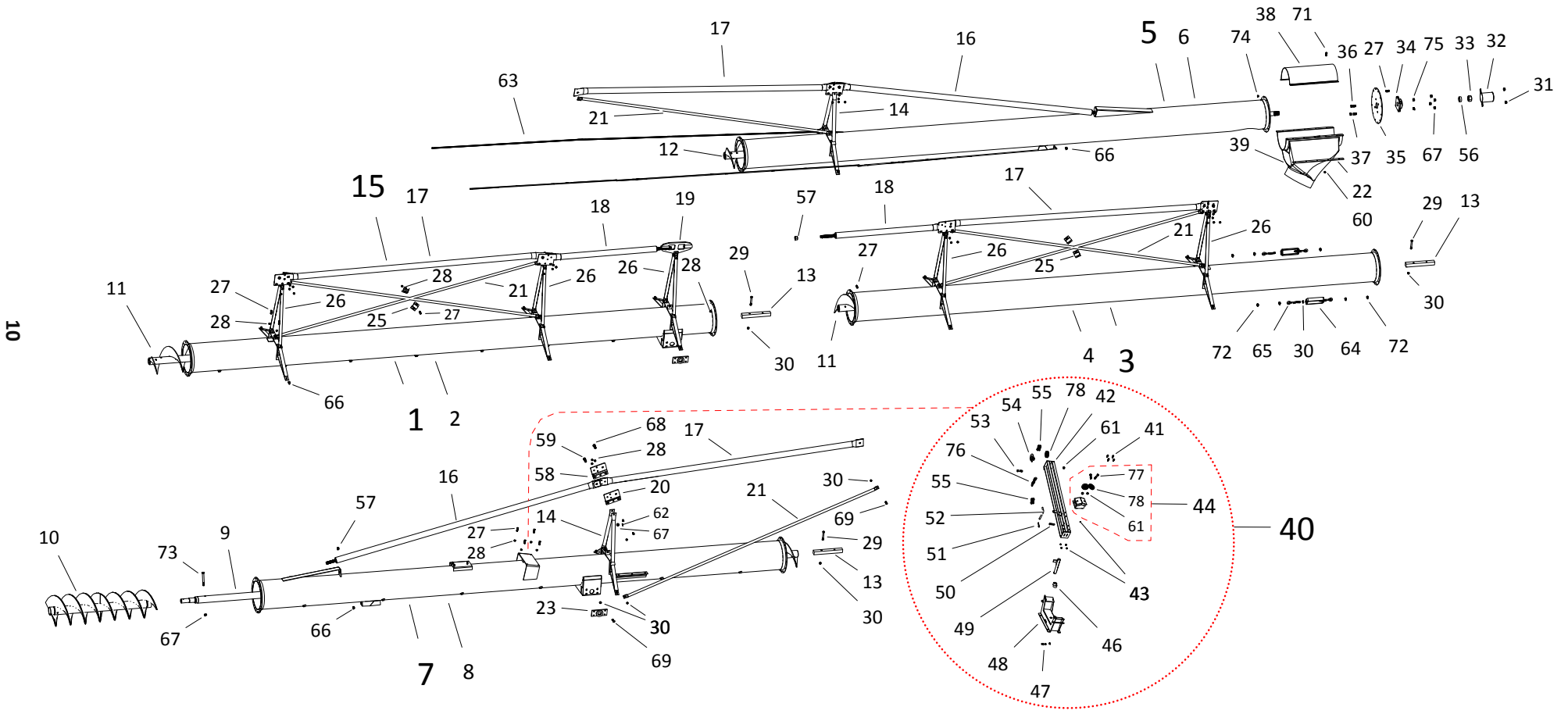




## HX130-84 TUBE ASSEMBLY

ITEM	PART NO.	DESCRIPTION
1	10-24365	LOWER MIDDLE TUBE BDL
2	10-24364	LOWER MIDDLE TUBE
3	10-24361	MIDDLE TUBE BDL
4	10-24360	MIDDLE TUBE
5	10-24357	UPPER TUBE BDL
6	10-24356	UPPER TUBE
7	10-24371	LOWER TUBE BDL
8	10-24370	LOWER TUBE
9	200530	LOWER FLIGHT W/ BOOT FLIGHT
10	10-24298	BOOT FLIGHT
11	10-29987	MIDDLE FLIGHT
12	10-29986	UPPER FLIGHT
13	10-29985	FLIGHT CONNECTING SHAFT
14	10-17459	TRUSS TOWER
15	10-23637	TRUSS TUBE BUNDLE
16	10-21301	LONG TRUSS ADJUST TUBE
17	10-21310	LONG TRUSS TUBE
18	10-21328HM	TRUSS ADJUSTER,SHORT
19	10-20036HM	TRUSS ADJUSTER
20	10-21304	JOINER PLATE 1
21	10-20078	TRUSS CROSS BRACE
22	10-24396	REINFORCEMENT BAR, HX13 SPOUT
23	10-29962HM	FRAME ATTACH SPACER
25	10-17405	CROSS BRACE CLAMP
26	10-17460	TRUSS TOWER, HIGH
27	10-18698	BOLT, 7/16" X 1-1/4"
28	10-17593	7/16" NC NYLON LOCKNUT GR5 YLW PLTD
29	10-18947	BOLT, 1/2" X 4" NC GR 8 PLTD
30	10-17750	1/2" NC NYLON LOCKNUT GR 5 YLW PLTD
31	10-27588	FLANGE NUT, 5/8"
32	10-27576WH	COVER, THRUST ADJUSTER
33	10-27587	HEX NUT, 1-1/2" UNF
34	10-18518	1-3/4" BEARING, 4 BOLT
35	10-29231WH	FLIGHT BEARING MOUNT PLATE
36	10-18544	BOLT, 5/8" X 1-3/4" GR5
37	10-27589	BOLT, 5/8" X 2-1/2" GR8
38	10-24397	SPOUT BACK BAND, HX13 SPOUT
39	10-24395	60 DEG PLASTIC SPOUT, HX130
40	10-20030	LIFT ARM ASSEMBLY
41	10-18955	3/8" X 1" NC BOLT GR 5 PLTD
42	10-20028	LIFT ARM
43	10-17402	3/8" NC NYLON LOCKNUT PLTD
44	10-23134	LIFT ARM PULLEY GUIDE ASSEMBLY (2017)
46	10-20360	LIFT ARM PIVOT PIN RING
47	10-28450	BOLT, 3/8" X 1-3/4" GR5
48	10-20032	LIFT ARM BASE
49	10-20031	LIFT ARM SWIVEL
50	10-27979	BOLT, 3/8" X 2" GR5
51	10-19463	210 HITCH PIN
52	10-19648	SADDLE PIN

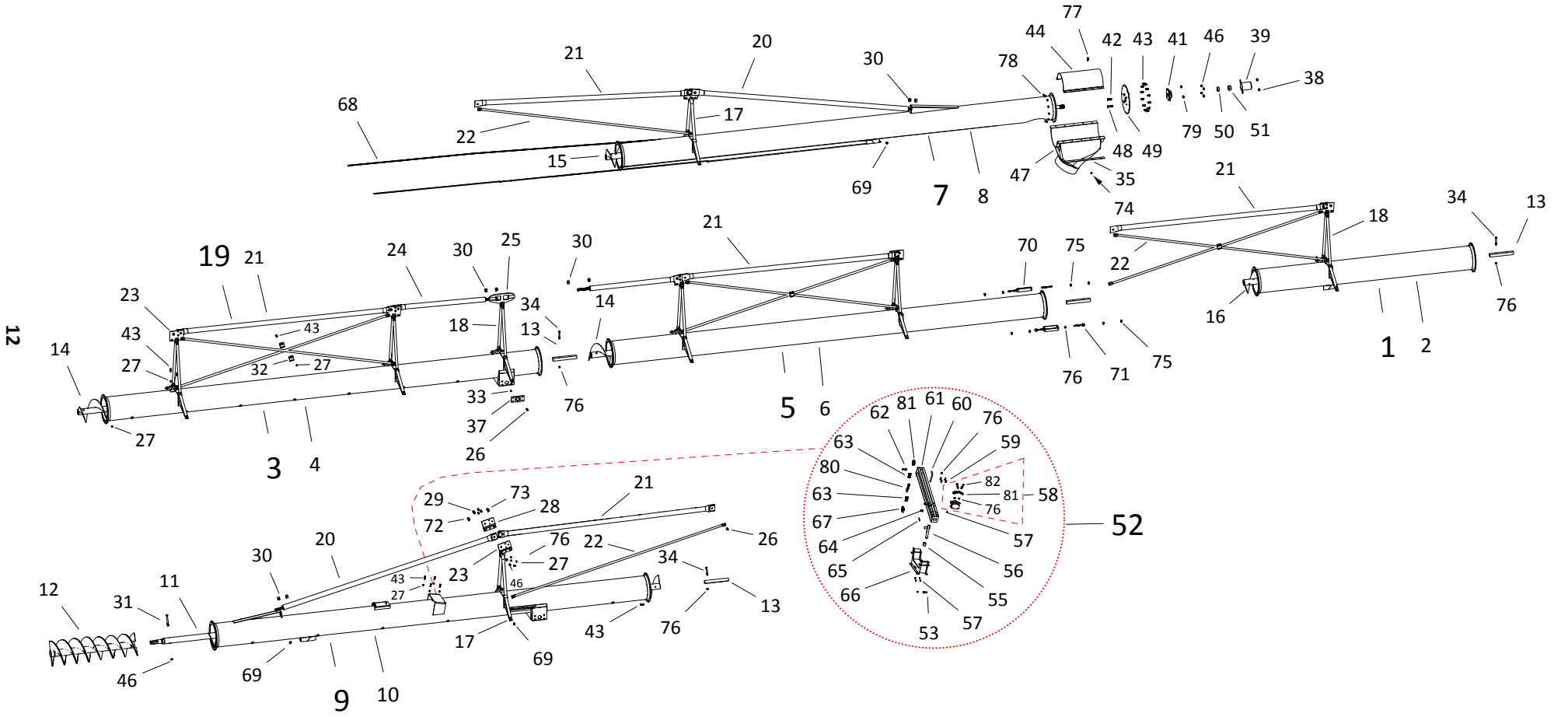
# HX130-84 TUBE ASSEMBLY



## HX130-84 TUBE ASSEMBLY

ITEM	PART NO.	DESCRIPTION
53	10-17403	BOLT, 1/2" X 2-1/2" GR5
54	10-28997	HOOK W LATCH
55	10-20083	5/16" MIDLINK
56	10-21171	BUSHING THRUST ADJUSTER
57	10-20080	HEXNUT, 1"
58	10-21305	JOINER PLATE 2
59	10-27484	BOLT, 5/8" X 2-1/4" GR8
60	10-19980	5/16" NC NYLON LOCKNUT PLTD
61	10-19599	1/2" NC NYLON LOCKNUT GR 2 PLTD
62	10-19545	7/16" X 2-1/4" NC BOLT GR 8 PLTD
63	10-20085	TRUSS CABLE
64	10-17464	TURN BUCKLE
65	10-19331	1/2" EYEBOLT
66	10-19333	5/16" CABLE CLAMP
67	10-19600	5/8" NYLON LOCKNUT
68	10-19974	BOLT, 1/2" x 1-3/4" GR8
69	10-19589	1/2" X 1-1/2" BOLT GR8
71	10-27788	5/16" X 1-1/2" NC BOLT GR 5 PLTD
72	10-18990	3/8" CABLE CLAMP
73	10-17632	BOLT, 5/8" x 5 1/2" GR8
74	10-19598	LOCKNUT, 7/16"
75	10-17262	5/8" LOCK WASHER
76	10-21432	CHAIN, 5/16" GRADE 30 (4 LINKS)
77	9900560	BOLT, 1/2" x 2-1/4" GR5 PLTD
78	10-21494	LIFT ARM PULLEY ASSEMBLY

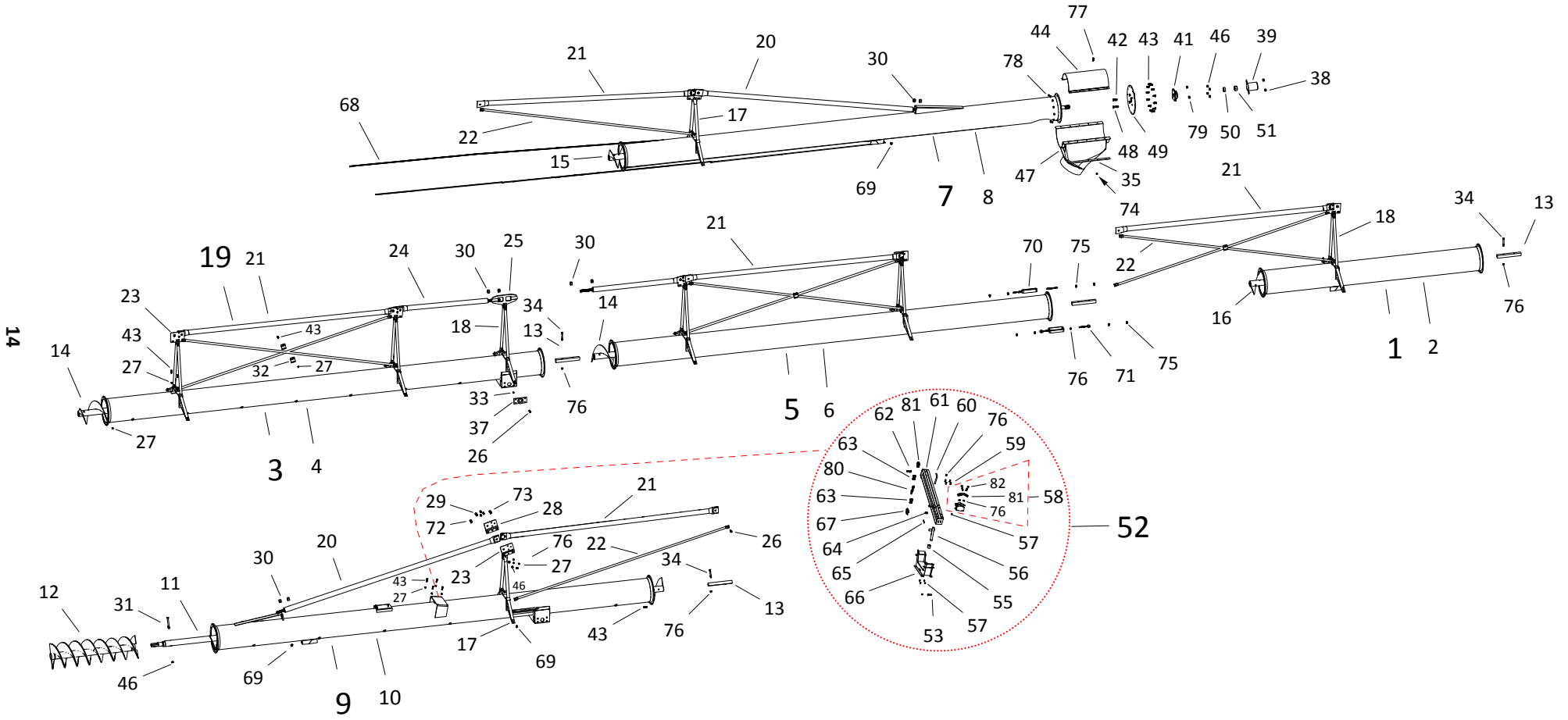
HX130-94 TUBE ASSEMBLY



## HX130-94 TUBE ASSEMBLY

ITEM	PART NO.	DESCRIPTION
1	10-24359	UPPER MIDDLE TUBE BDL 10'
2	10-24358	UPPER MIDDLE TUBE 10'
3	10-24367	LOWER MIDDLE TUBE BDL
4	10-24366	LOWER MIDDLE TUBE
5	10-24361	MIDDLE TUBE BDL
6	10-24360	MIDDLE TUBE
7	10-24357	UPPER TUBE BDL
8	10-24356	UPPER TUBE
9	10-24373	LOWER TUBE BDL
10	10-24372	LOWER TUBE
11	200530	LOWER FLIGHT W/ BOOT FLIGHT
12	10-24298	BOOT FLIGHT
13	10-29985	FLIGHT CONNECTING SHAFT
14	10-29987	MIDDLE FLIGHT
15	10-29986	UPPER FLIGHT
16	10-29988	FLIGHT, 10' EXTENSION
17	10-17459	TRUSS TOWER
18	10-17460	TRUSS TOWER, HIGH
19	10-23639	TRUSS TUBE BUNDLE
20	10-21301	LONG TRUSS ADJUST TUBE
21	10-21310	LONG TRUSS TUBE
22	10-20078	TRUSS CROSS BRACE
22	10-23640	TRUSS CROSS BRACE BDL
23	10-21304	JOINER PLATE 1
24	10-21328HM	TRUSS ADJUSTER,SHORT
25	10-20036HM	TRUSS ADJUSTER
26	10-19589	1/2" X 1-1/2" BOLT GR8
27	10-17593	7/16" NC NYLON LOCKNUT GR5 YLW PLTD
28	10-21305	JOINER PLATE 2
29	10-27484	BOLT, 5/8" X 2-1/4" GR8
30	10-20080	HEXNUT, 1"
31	10-17632	BOLT, 5/8" x 5 1/2" GR8
32	10-17405	CROSS BRACE CLAMP
33	10-17750	1/2" NC NYLON LOCKNUT GR 5 YLW PLTD
34	10-18947	BOLT, 1/2" X 4" NC GR 8 PLTD
35	10-24396	REINFORCEMENT BAR, HX13 SPOUT
37	10-29962HM	FRAME ATTACH SPACER
38	10-27588	FLANGE NUT, 5/8"
39	10-27576WH	COVER, THRUST ADJUSTER
41	10-18518	1-3/4" BEARING, 4 BOLT
42	10-18544	BOLT, 5/8" X 1-3/4" GR5
43	10-18698	BOLT, 7/16" X 1-1/4"
44	10-24397	SPOUT BACK BAND, HX13 SPOUT
46	10-19600	5/8" NYLON LOCKNUT
47	10-24395	60 DEG PLASTIC SPOUT, HX130
48	10-27589	BOLT, 5/8" X 2-1/2" GR8
49	10-29231WH	FLIGHT BEARING MOUNT PLATE
50	10-21171	BUSHING THRUST ADJUSTER
51	10-27587	HEX NUT, 1-1/2" UNF
52	10-20030	LIFT ARM ASSEMBLY

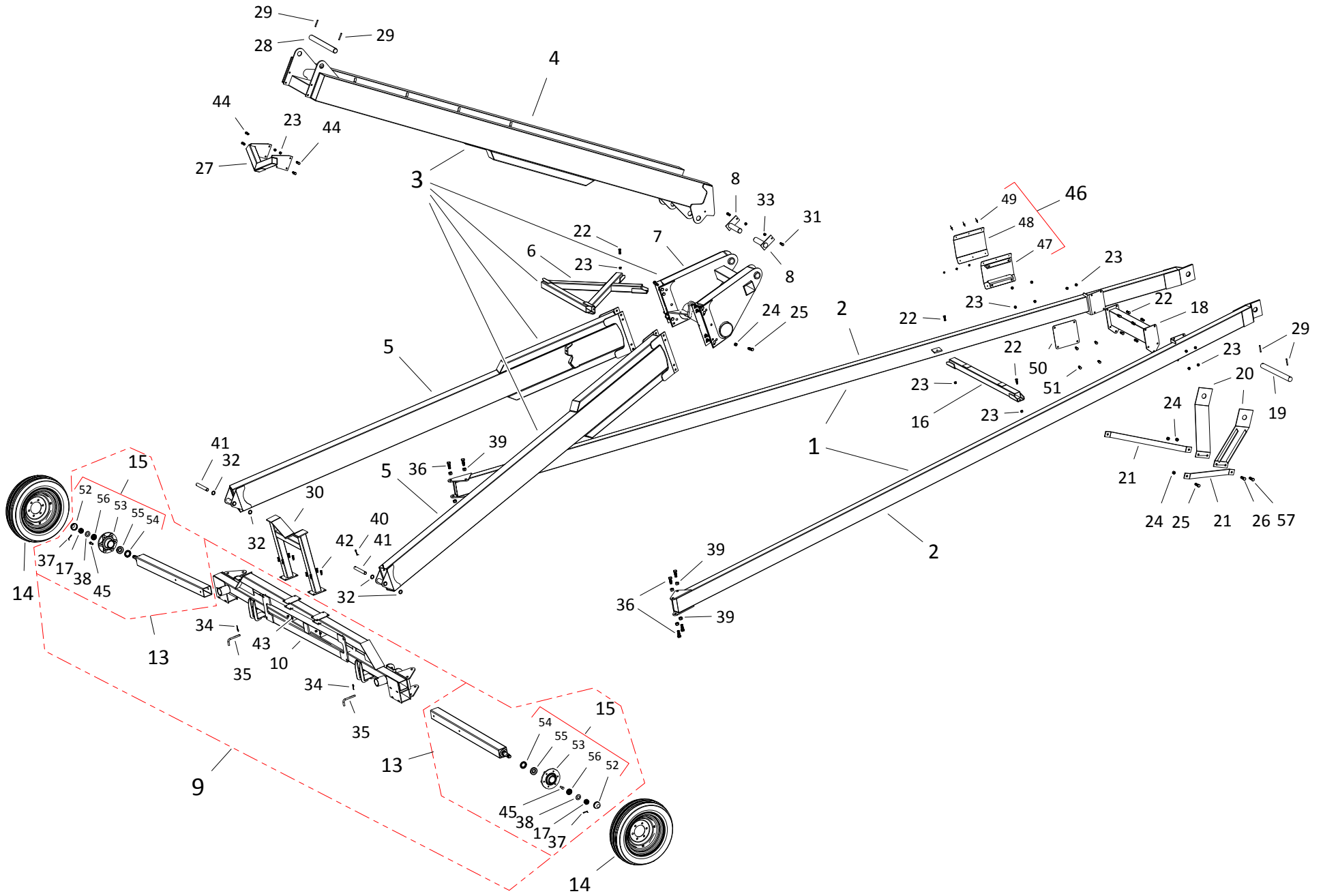
# HX130-94 TUBE ASSEMBLY



## HX130-94 TUBE ASSEMBLY

ITEM	PART NO.	DESCRIPTION
53	10-28450	BOLT, 3/8" X 1-3/4" GR5
55	10-20360	LIFT ARM PIVOT PIN RING
56	10-20031	LIFT ARM SWIVEL
57	10-17402	3/8" NC NYLON LOCKNUT PLTD
58	10-23134	LIFT ARM PULLEY GUIDE ASSEMBLY (2017)
59	10-18955	3/8" X 1" NC BOLT GR 5 PLTD
60	10-19648	SADDLE PIN
61	10-20028	LIFT ARM
62	10-17403	BOLT, 1/2" X 2-1/2" GR5
63	10-20083	5/16" MIDLINK
64	10-27979	BOLT, 3/8" X 2" GR5
65	10-19463	210 HITCH PIN
66	10-20032	LIFT ARM BASE
67	10-28997	HOOK W LATCH
68	10-17576	TRUSS CABLE
69	10-19333	5/16" CABLE CLAMP
70	10-17464	TURN BUCKLE
71	10-19331	1/2" EYEBOLT
72	10-19974	BOLT, 1/2" x 1-3/4" GR8
73	10-19545	7/16" X 2-1/4" NC BOLT GR 8 PLTD
74	10-19980	5/16" NC NYLON LOCKNUT PLTD
75	10-18990	3/8" CABLE CLAMP
76	10-19599	1/2" NC NYLON LOCKNUT GR 2 PLTD
77	10-27788	5/16" X 1-1/2" NC BOLT GR 5 PLTD
78	10-19598	LOCKNUT, 7/16"
79	10-17262	5/8" LOCK WASHER
80	10-21432	CHAIN, 5/16" GRADE 30 (4 LINKS)
81	10-21494	LIFT ARM PULLEY ASSEMBLY
82	9900560	BOLT, 1/2" x 2-1/4" GR5 PLTD

# HX130-74 FRAME ASSEMBLY

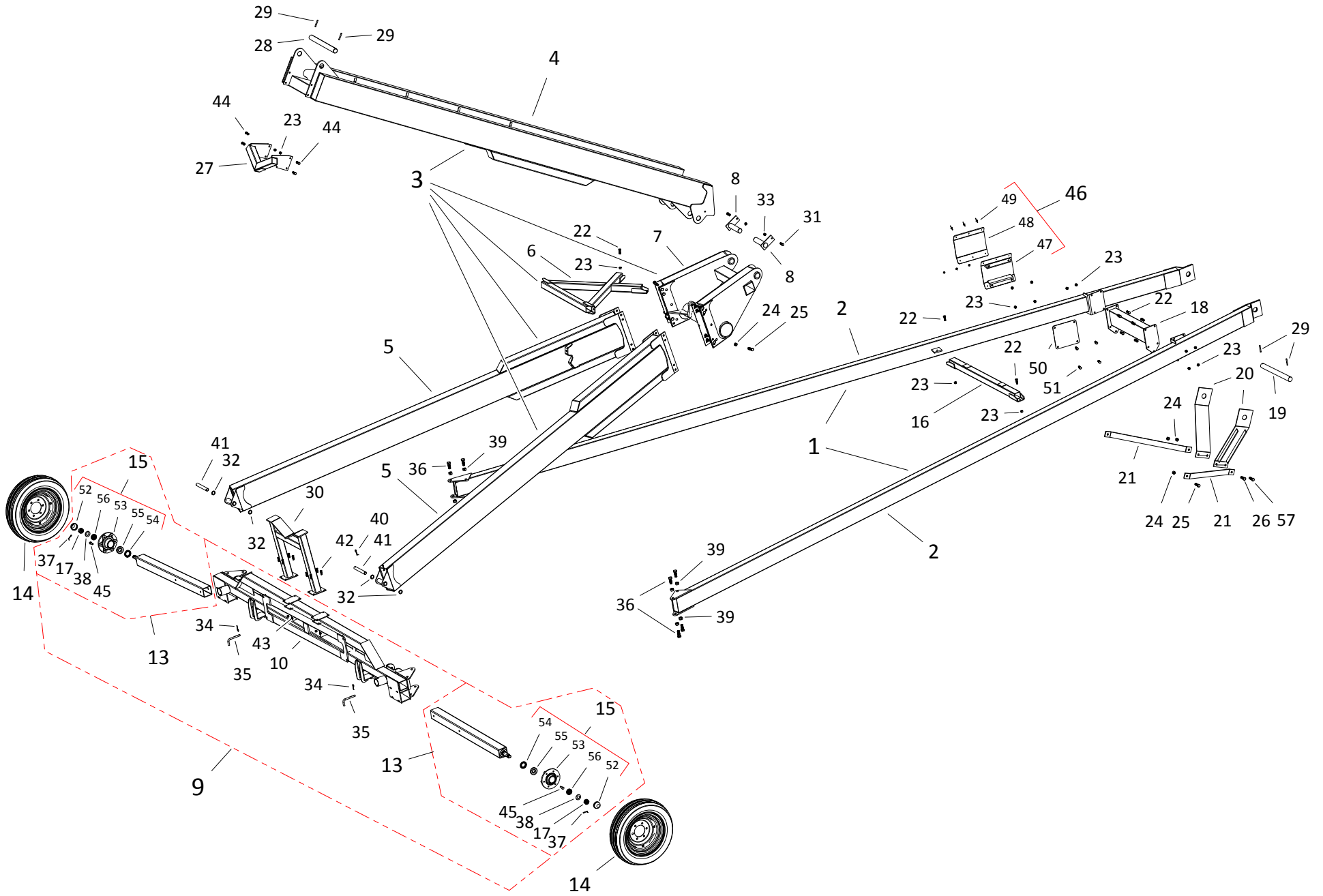




## HX130-74 FRAME ASSEMBLY

ITEM	PART NO.	DESCRIPTION	NOTES
1	10-23634	LOWER ARM BDL	
2	10-29912HM	LOWER ARM	
3	10-20426HM	SCISSOR BDL	INCLUDES ITEM 4-9
4	10-29916HM	UPPER SCISSOR	
5	10-29914HM	LOWER SCISSOR ARM	
6	10-29911HM	BOWTIE CROSSBRACE	
7	10-29910HM	BOWTIE	
8	10-29929HM	SCISSOR PIN	
9	10-22623HM	AXLE ASSY, 1-PC	
10	10-22621HM	AXLE, 1-PC	
13	10-29961	AXLE EXTENSION, RED	
14	10-29015	6 BOLT WHEEL ASSEMBLY	
15	10-17013	HDA611Z HUB ASSEMBLY	
16	10-29954HM	SCISSOR REST	
17	10-17011	1" SLOTTED NUT	
18	10-29951HM	STABILIZER CROSS MEMBER	
19	10-29995	LOWER FRAME ATTACH PIN	
20	10-29950HM	STABILIZER BRACKET	
21	10-29952HM	STABILIZER BRACE	
22	10-19589	1/2" X 1-1/2" BOLT GR8	
23	10-17750	1/2" NC NYLON LOCKNUT GR 5 YLW PLTD	
24	10-19600	5/8" NYLON LOCKNUT	
25	10-19991	BOLT, 5/8" X 2" GR8	
26	10-27484	BOLT, 5/8" X 2-1/4" GR8	
27	10-20241HM	TRANSPORT GUIDE	
28	10-20079	FRAME ATTACH PIN, UPPER SCISSOR	
29	10-28584	COILED SPRING PIN 5/16 X 2-1/2 PLNO	
30	10-20240HM	TRANSPORT STAND	
31	10-18698	BOLT, 7/16" X 1-1/4"	
32	10-18097	1" RIM WASHER	
33	10-19598	LOCKNUT, 7/16"	
34	10-19463	210 HITCH PIN	
35	10-19648	SADDLE PIN	
36	10-19592	3/4" x 2" BOLT GR8	
37	10-19271	1/8" X 1-1/2" COTTER PIN	
38	10-17010	1" SAE WASHER	
39	10-19601	3/4" NC NYLON LOCKNUT PLTD	
40	10-18098	COTTER PIN, 1/4" X 1-3/4"	
41	10-20049	LOWER SCISSOR ATTACH PIN	
42	10-19975	BOLT, 3/8" X 1-1/4" GR5	
43	10-17402	3/8" NC NYLON LOCKNUT PLTD	
44	10-19974	BOLT, 1/2" x 1-3/4" GR8	
45	10-17561	1/2" X 1-1/4" WHEEL BOLT	
46	10-22924HM	LOWER ARM DEFLECTOR ASSY	
47	10-22923HM	LOWER ARM DEFLECTOR ONLY	
48	10-22925	FRAME DEFLECTOR PLASTIC, BENT	
49	10-20399	3/16" X 5/8" GRIP RIVET	
50	10-22929HM	LOWER ARM SKID CLAMP	
51	10-19588	1/2" X 1-1/4" BOLT GR 5	
52	10-17012	Dust Cap	

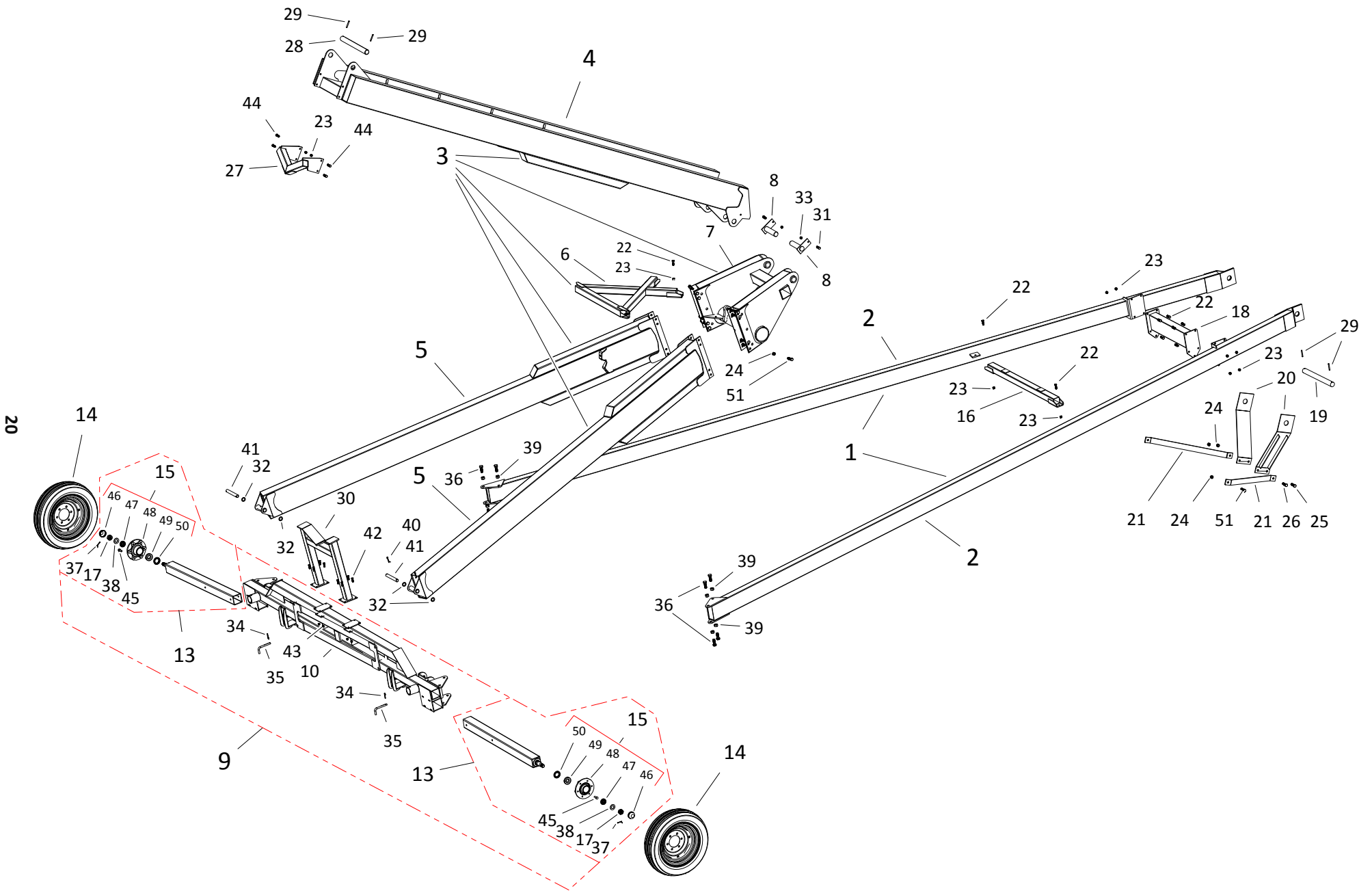
# HX130-74 FRAME ASSEMBLY



## HX130-74 FRAME ASSEMBLY

ITEM	PART NO.	DESCRIPTION	NOTES
53	10-17009	6 BOLT HUB	
54	10-17006	HUB SEAL	
55	10-17007	LG HUB BEARNG	
56	10-19265	CONE BEARING	
57	10-19590	BOLT, 5/8" X 1-1/2" GR8	

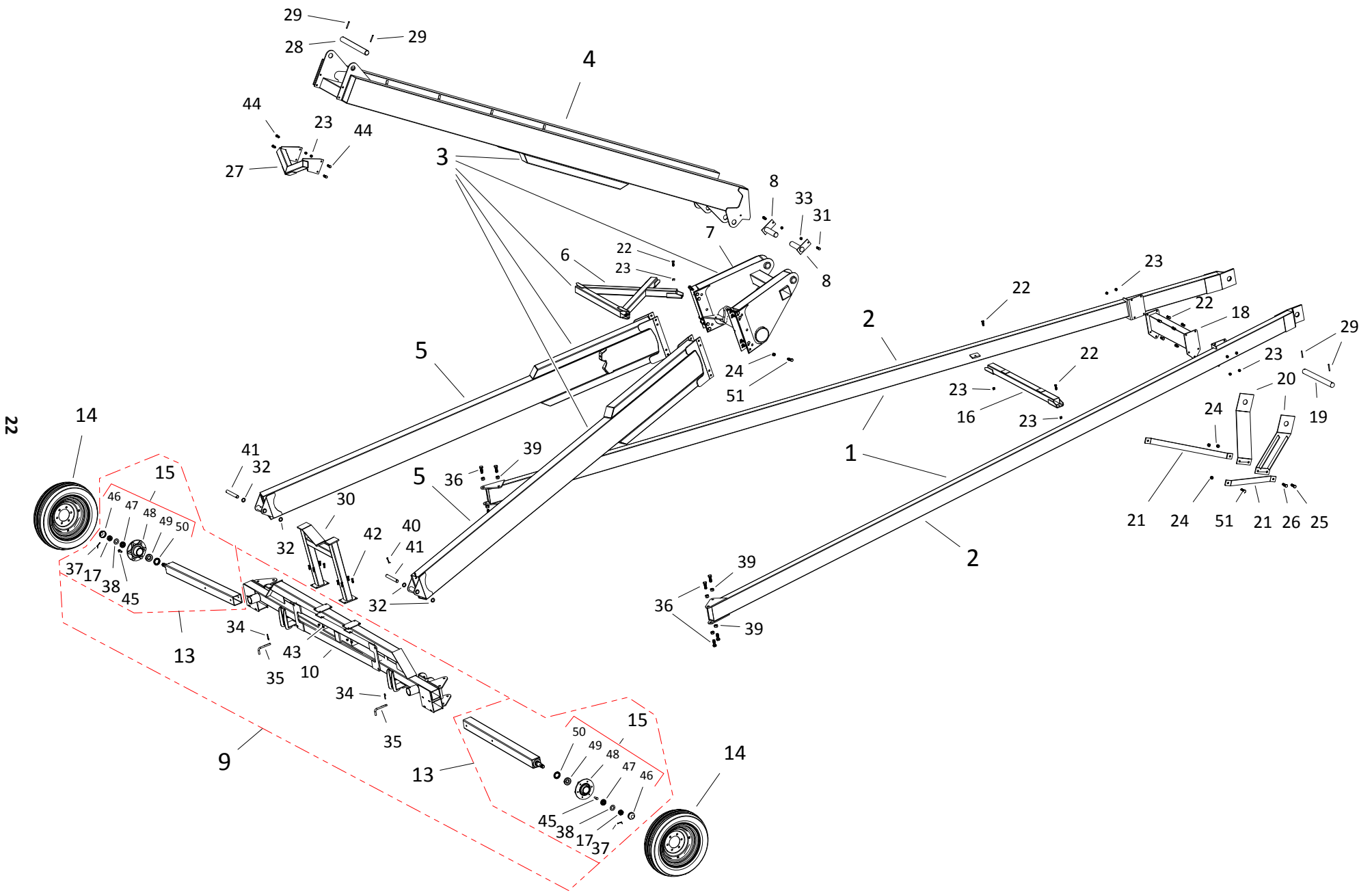
# HX130-84 FRAME ASSEMBLY



## HX130-84 FRAME ASSEMBLY

ITEM	PART NO.	DESCRIPTION	NOTES
1	10-23635	LOWER ARM BDL	
2	10-29917HM	LOWER ARM	
3	10-20427HM	SCISSOR BDL	INCLUDES ITEM 4-9
4	10-29921HM	UPPER SCISSOR	
5	10-29919HM	LOWER SCISSOR ARM	
6	10-29911HM	BOWTIE CROSSBRACE	
7	10-29910HM	BOWTIE	
8	10-29929HM	SCISSOR PIN	
9	10-22623HM	AXLE ASSY, 1-PC	
10	10-22621HM	AXLE, 1-PC	
13	10-29961	AXLE EXTENSION, RED	
14	10-29015	6 BOLT WHEEL ASSEMBLY	
15	10-17013	HDA611Z HUB ASSEMBLY	
16	10-29954HM	SCISSOR REST	
17	10-17011	1" SLOTTED NUT	
18	10-29951HM	STABILIZER CROSS MEMBER	
19	10-29995	LOWER FRAME ATTACH PIN	
20	10-29950HM	STABILIZER BRACKET	
21	10-29952HM	STABILIZER BRACE	
22	10-19589	1/2" X 1-1/2" BOLT GR8	
23	10-17750	1/2" NC NYLON LOCKNUT GR 5 YLW PLTD	
24	10-19600	5/8" NYLON LOCKNUT	
25	10-19590	BOLT, 5/8" X 1-1/2" GR8	
26	10-27484	BOLT, 5/8" X 2-1/4" GR8	
27	10-20241HM	TRANSPORT GUIDE	
28	10-20079	FRAME ATTACH PIN, UPPER SCISSOR	
29	10-28584	COILED SPRING PIN 5/16 X 2-1/2 PLNO	
30	10-20240HM	TRANSPORT STAND	
31	10-18698	BOLT, 7/16" X 1-1/4"	
32	10-18097	1" RIM WASHER	
33	10-19598	LOCKNUT, 7/16"	
34	10-19463	210 HITCH PIN	
35	10-19648	SADDLE PIN	
36	10-19592	3/4" x 2" BOLT GR8	
37	10-19271	1/8" X 1-1/2" COTTER PIN	
38	10-17010	1" SAE WASHER	
39	10-19601	3/4" NC NYLON LOCKNUT PLTD	
40	10-18098	COTTER PIN, 1/4" X 1-3/4"	
41	10-20049	LOWER SCISSOR ATTACH PIN	
42	10-19975	BOLT, 3/8" X 1-1/4" GR5	
43	10-17402	3/8" NC NYLON LOCKNUT PLTD	
44	10-19974	BOLT, 1/2" x 1-3/4" GR8	
45	10-17561	1/2" X 1-1/4" WHEEL BOLT	
46	10-17012	Dust Cap	
47	10-19265	CONE BEARING	
48	10-17009	6 BOLT HUB	
49	10-17007	LG HUB BEARNG	
50	10-17006	HUB SEAL	
51	10-19991	BOLT, 5/8" X 2" GR8	

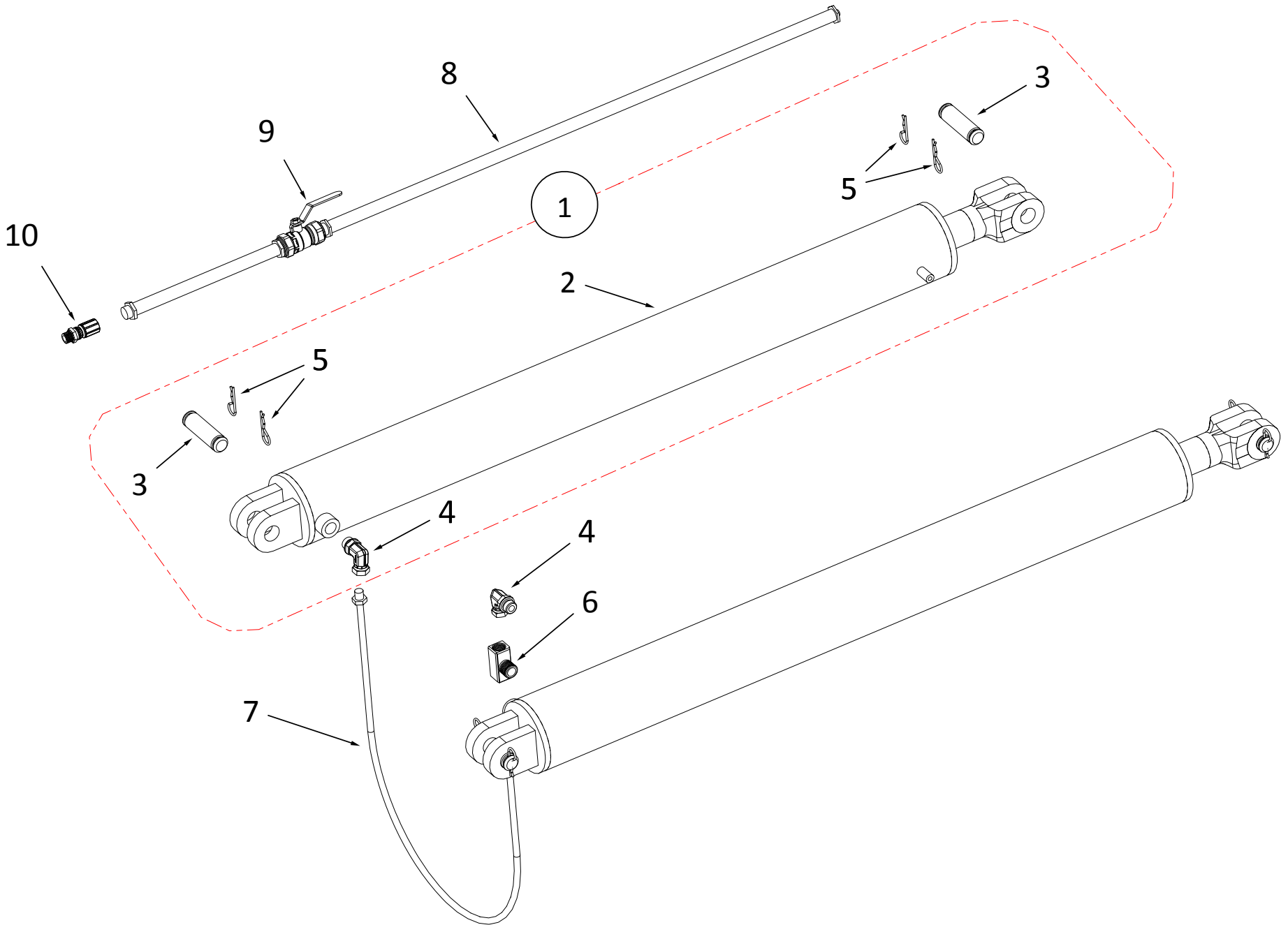
# HX130-94 FRAME ASSEMBLY



## HX130-94 FRAME ASSEMBLY

ITEM	PART NO.	DESCRIPTION	NOTES
1	10-23636	LOWER ARM BDL	
2	10-29922HM	LOWER ARM	
3	10-20428HM	SCISSOR BDL	INCLUDES ITEM 4-9
4	10-29926HM	UPPER SCISSOR	
5	10-29924HM	LOWER SCISSOR ARM	
6	10-29911HM	BOWTIE CROSSBRACE	
7	10-29910HM	BOWTIE	
8	10-29929HM	SCISSOR PIN	
9	10-22623HM	AXLE ASSY, 1-PC	
10	10-22621HM	AXLE, 1-PC	
13	10-29961	AXLE EXTENSION, RED	
14	10-29015	6 BOLT WHEEL ASSEMBLY	
15	10-17013	HDA611Z HUB ASSEMBLY	
16	10-29954HM	SCISSOR REST	
17	10-17011	1" SLOTTED NUT	
18	10-29951HM	STABILIZER CROSS MEMBER	
19	10-29995	LOWER FRAME ATTACH PIN	
20	10-29950HM	STABILIZER BRACKET	
21	10-29953HM	STABILIZER BRACE	
22	10-19589	1/2" X 1-1/2" BOLT GR8	
23	10-17750	1/2" NC NYLON LOCKNUT GR 5 YLW PLTD	
24	10-19600	5/8" NYLON LOCKNUT	
25	10-19590	BOLT, 5/8" X 1-1/2" GR8	
26	10-27484	BOLT, 5/8" X 2-1/4" GR8	
27	10-20241HM	TRANSPORT GUIDE	
28	10-20079	FRAME ATTACH PIN, UPPER SCISSOR	
29	10-28584	COILED SPRING PIN 5/16 X 2-1/2 PLNO	
30	10-20240HM	TRANSPORT STAND	
31	10-18698	BOLT, 7/16" X 1-1/4"	
32	10-18097	1" RIM WASHER	
33	10-19598	LOCKNUT, 7/16"	
34	10-19463	210 HITCH PIN	
35	10-19648	SADDLE PIN	
36	10-19592	3/4" x 2" BOLT GR8	
37	10-19271	1/8" X 1-1/2" COTTER PIN	
38	10-17010	1" SAE WASHER	
39	10-19601	3/4" NC NYLON LOCKNUT PLTD	
40	10-18098	COTTER PIN, 1/4" X 1-3/4"	
41	10-20049	LOWER SCISSOR ATTACH PIN	
42	10-19975	BOLT, 3/8" X 1-1/4" GR5	
43	10-17402	3/8" NC NYLON LOCKNUT PLTD	
44	10-19974	BOLT, 1/2" x 1-3/4" GR8	
45	10-17561	1/2" X 1-1/4" WHEEL BOLT	
46	10-17012	Dust Cap	
47	10-19265	CONE BEARING	
48	10-17009	6 BOLT HUB	
49	10-17007	LG HUB BEARNG	
50	10-17006	HUB SEAL	
51	10-19991	BOLT, 5/8" X 2" GR8	

# HX130-74 HYDRAULIC CYLINDER ASSEMBLY

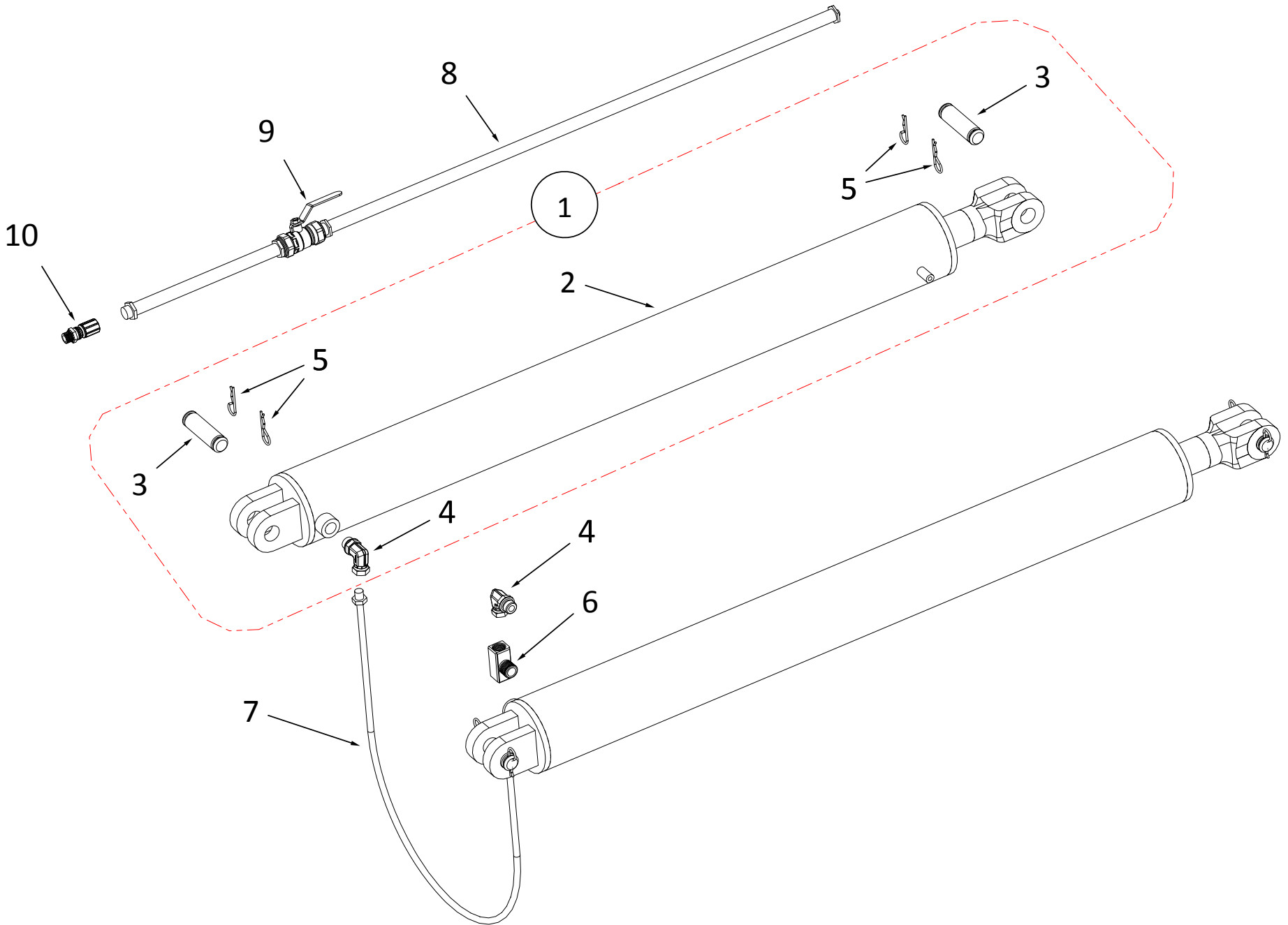




## HX130-74 HYDRAULIC CYLINDER ASSEMBLY

ITEM	PART NO.	DESCRIPTION
1	10-22001	HYD LIFT CYL ASSY
2	9900192	4" BORE X 40" STROKE HYD. CYLINDER
3	4504128	PIN,CYL,DBL GROOVE,1X3-3/8
4	10-28654	STEEL ELBOW 90DEG, 8MORB X 8FNPSM
5	2605004	CLIP,HITCH PIN,EXTERNAL
6	10-28480	STEEL TEE
7	10-28468	HOSE, 3/8" X 2', 2500PSI
8	10-20058	HYDRAULIC HOSE ASSEMBLY KIT (INCLUDES SHORT, LONG HOSE & BALL VALVE)
9	10-18084	BALL VALVE
10	9900047	PIONEER COUPLER

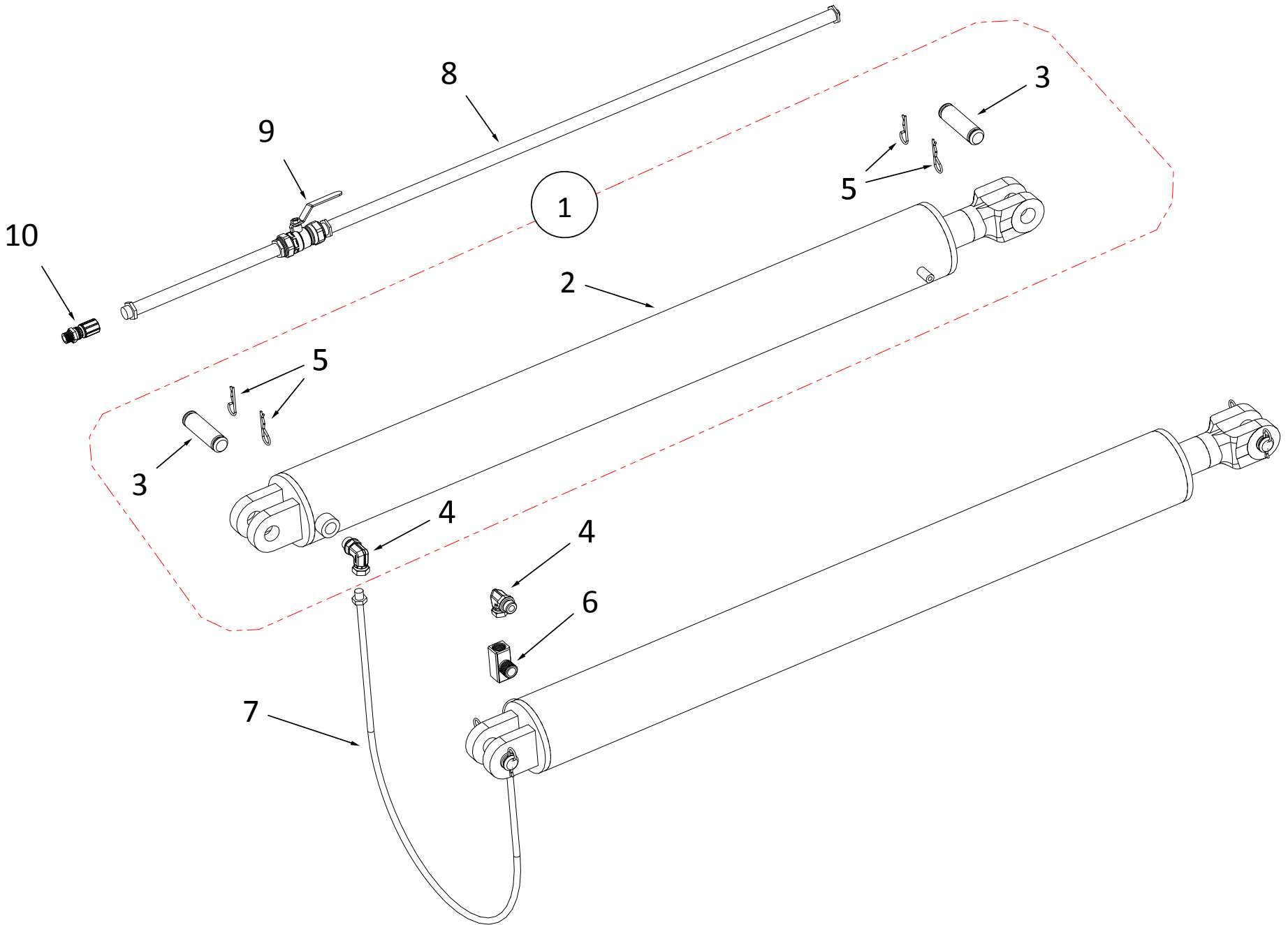
# HX130-84 HYDRAULIC CYLINDER ASSEMBLY



## HX130-84 HYDRAULIC CYLINDER ASSEMBLY

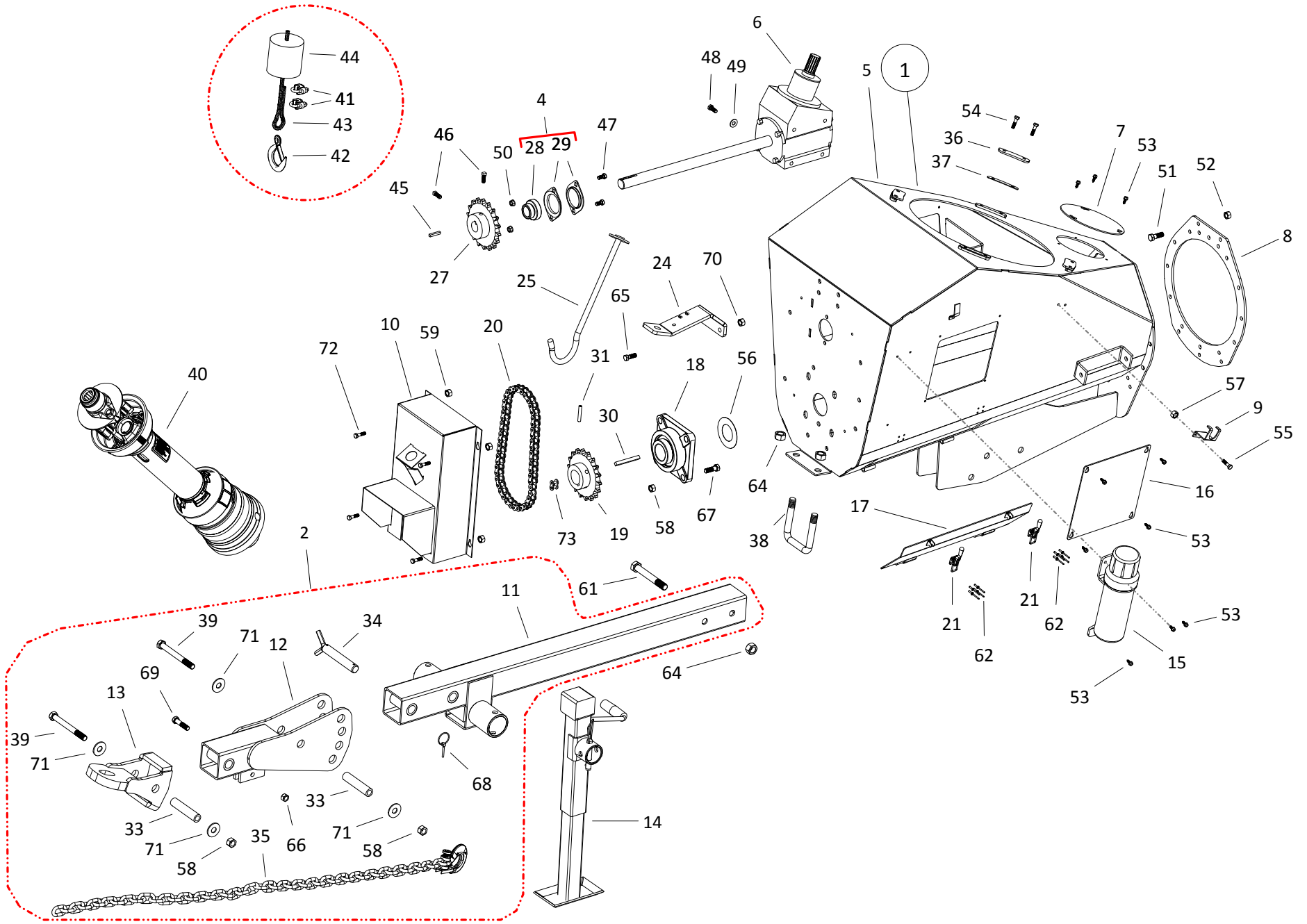
ITEM	PART NO.	DESCRIPTION
1	10-22001	HYD LIFT CYL ASSY
2	9900192	4" BORE X 40" STROKE HYD. CYLINDER
3	4504128	PIN,CYL,DBL GROOVE,1X3-3/8
4	10-28654	STEEL ELBOW 90DEG, 8MORB X 8FNPSM
5	2605004	CLIP,HITCH PIN,EXTERNAL
6	10-28480	STEEL TEE
7	10-28468	HOSE, 3/8" X 2', 2500PSI
8	10-20059	HYDRAULIC HOSE ASSEMBLY KIT (INCLUDES SHORT, LONG HOSE AND BALL VALVE)
9	10-18084	BALL VALVE
10	9900047	PIONEER COUPLER

# HX130-94 HYDRAULIC CYLINDER ASSEMBLY



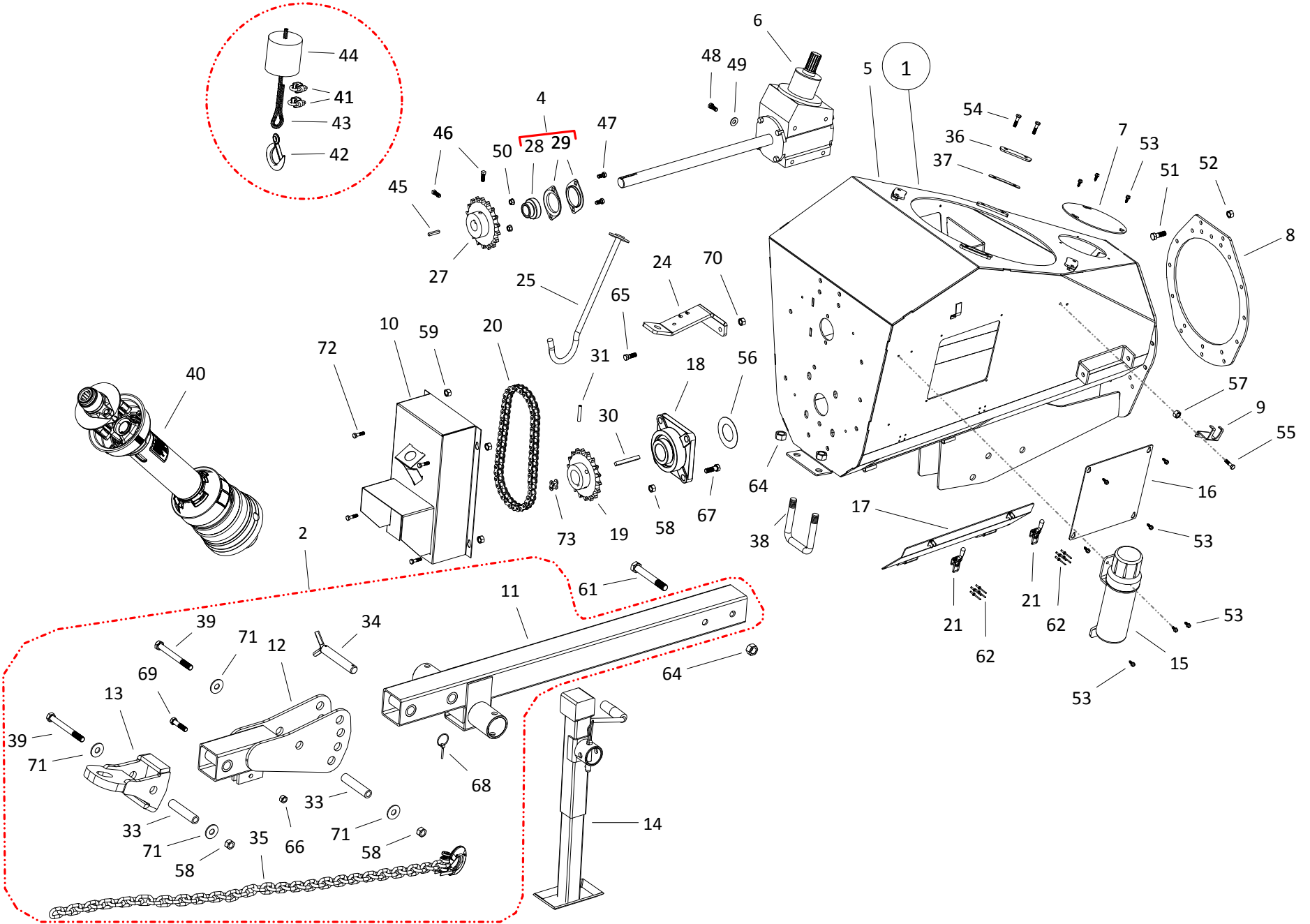
## HX130-94 HYDRAULIC CYLINDER ASSEMBLY

ITEM	PART NO.	DESCRIPTION
1	10-22002	HYD LIFT CYL ASSY
2	9900198	4" BORE X 40" STROKE HYD. CYLINDER
3	4504128	PIN,CYL,DBL GROOVE,1X3-3/8
4	10-28654	STEEL ELBOW 90DEG, 8MORB X 8FNPSM
5	2605004	CLIP,HITCH PIN,EXTERNAL
6	10-28480	STEEL TEE
7	10-28468	HOSE, 3/8" X 2', 2500PSI
8	10-20060	HYDRAULIC HOSE ASSEMBLY KIT (INCLUDES SHORT, LONG HOSE AND BALL VALVE)
9	10-18084	BALL VALVE
10	9900047	PIONEER COUPLER



## HX130 BOOT

ITEM	PART NO.	DESCRIPTION
1	10-29991	BOOT ASSEMBLY
2	10-22933	TOW BAR ASSEMBLY
4	10-19322	2 HOLE BEARING ASSEMBLY
5	10-29976	BOOT ONLY
6	10-29085	LOWER GEARBOX
7	10-17374	COVER PLATE
8	10-29999	BOOT-TUBE ATTACH PLATE
9	10-21932	SHUT OFF VALVE HOLDER
10	10-20062	SPROCKET COVER
11	10-22876	LONG TOW BAR
12	10-22878	SHORT TOW BAR
13	10-22877	HITCH
14	10-28930	JACK. 5000 LB SQUARE
15	10-29755	PLASTIC MANUAL HOLDER
16	10-20061	BOOT SERVICE DOOR
17	10-29982	BOOT CLEANOUT DOOR
18	10-20015	2" BEARING, W/4 BOLT FLANGE
19	10-18525	SPROCKET 80B18 X 1-3/4"
20	10-19781	80B37 ROLLER CHAIN
21	10-20052	MA6512230 LATCH AND CATCH
24	10-20042	PTO BRACKET
25	10-18537	SADDLE TRANSPORT
27	10-19779	80B18 X 1-1/4 SPROCKET
28	10-18853	BEARING INSRTS
29	10-18695	2 HOLE BEARING FLANGE
30	10-18541	SQAURE KEY, 3/8" X 3-3/8"
31	10-18546	3/8" X 2-1/2" COILED ROLL PIN
33	10-22882	TOW BAR BUSHING PLTD
34	10-20768	Tow Bar Pin
35	10-20836	SAFETY CHAIN (52" LONG)
36	10-29166	SPOUT HEAD RETAINERS
37	10-29152	SPOUT HEAD SPACER
38	10-28487	3/4" X 3-1/2" X 5" SQ. U-BOLT
39	10-20163	BOLT, 5/8" x 6" GR5 PLTD
40	10-18455	BLACK END CV PTO SHFT (74' ONLY)
40	10-29140	YELLOW END CV PTO SHAFT (84'/94' ONLY)
41	10-19147	1/4" CABLE CLAMP
42	10-28997	HOOK W LATCH
43	10-17376	LP HOPPER CABLE
44	10-20793	HOPPER WEIGHT
45	10-19606	1/4" SQUARE X 1.5" KEY
46	10-29119	SETSCREW, 3/8" X 1" GR8 SQ END
47	10-19540	3/8" X 3/4" BOLT GR5
48	10-19588	1/2" X 1-1/4" BOLT GR 5
49	10-19605	LOCKWASHER, 1/2" PLTD
50	10-19596	3/8" SERRATED FLANGE NUT
51	10-18698	BOLT, 7/16" X 1-1/4"
52	10-17593	7/16" NC NYLON LOCKNUT GR5 YLW PLTD
53	10-19274	#14 X 5/8" SMS AB GR 5 PLTD
54	10-19540	3/8" X 3/4" BOLT GR5

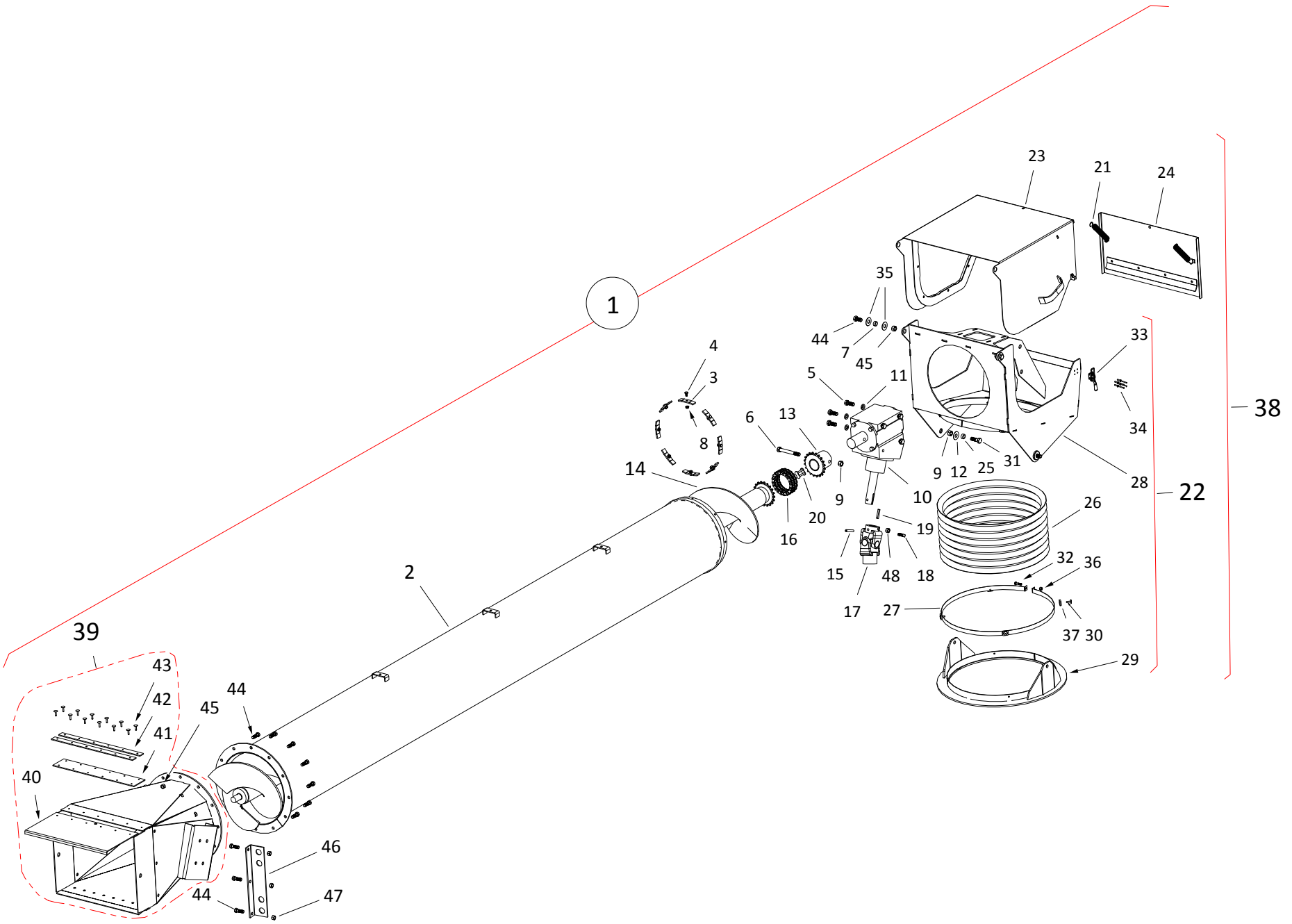




## HX130 BOOT

ITEM	PART NO.	DESCRIPTION
55	9900800	1/4" X 3/4" NC BOLT GR5 PLTD
56	10-20084	2" RIM WASHER
57	10-28449	1/4" NC NYLON LOCKNUT PLTD
58	10-19600	5/8" NYLON LOCKNUT
59	10-19980	5/16" NC NYLON LOCKNUT PLTD
61	10-29997	BOLT, 3/4" X 5-1/2" GR8
62	10-23769	5/32 X 39/64 RIVET, LOW PROFILE
64	10-19601	3/4" NC NYLON LOCKNUT PLTD
65	10-19589	1/2" X 1-1/2" BOLT GR8
66	10-19599	1/2" NC NYLON LOCKNUT GR 2 PLTD
67	10-19991	BOLT, 5/8" X 2" GR8
68	10-29998	LYNCH PIN 3/16 X 1-1/4 Y.ZINC PLTD
69	9900560	BOLT, 1/2" x 2-1/4" GR5 PLTD
70	10-17750	1/2" NC NYLON LOCKNUT GR 5 YLW PLTD
71	10-19966	5/8" FLAT WASHER PLTD
72	10-19538	5/16" X 3/4" BOLT GR2
73	10-19323	#80 CHAIN CONNECTOR

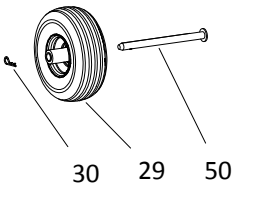
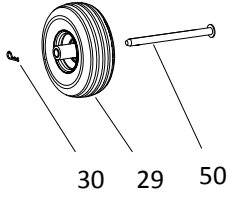
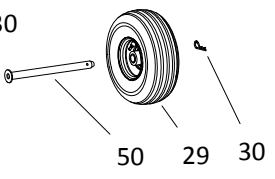
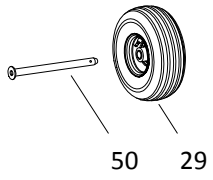
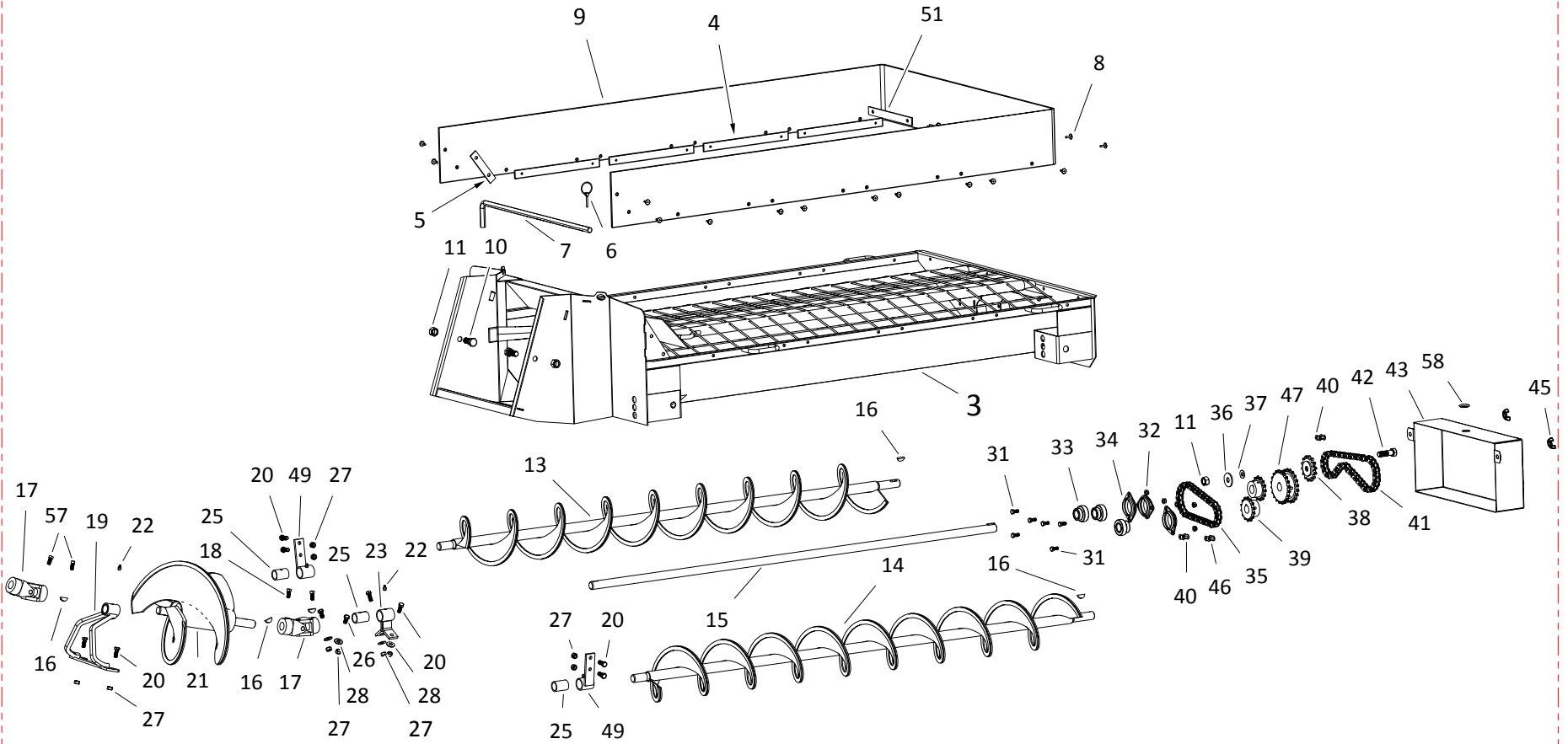
# HX130 SWING TUBE



## HX130 SWING TUBE

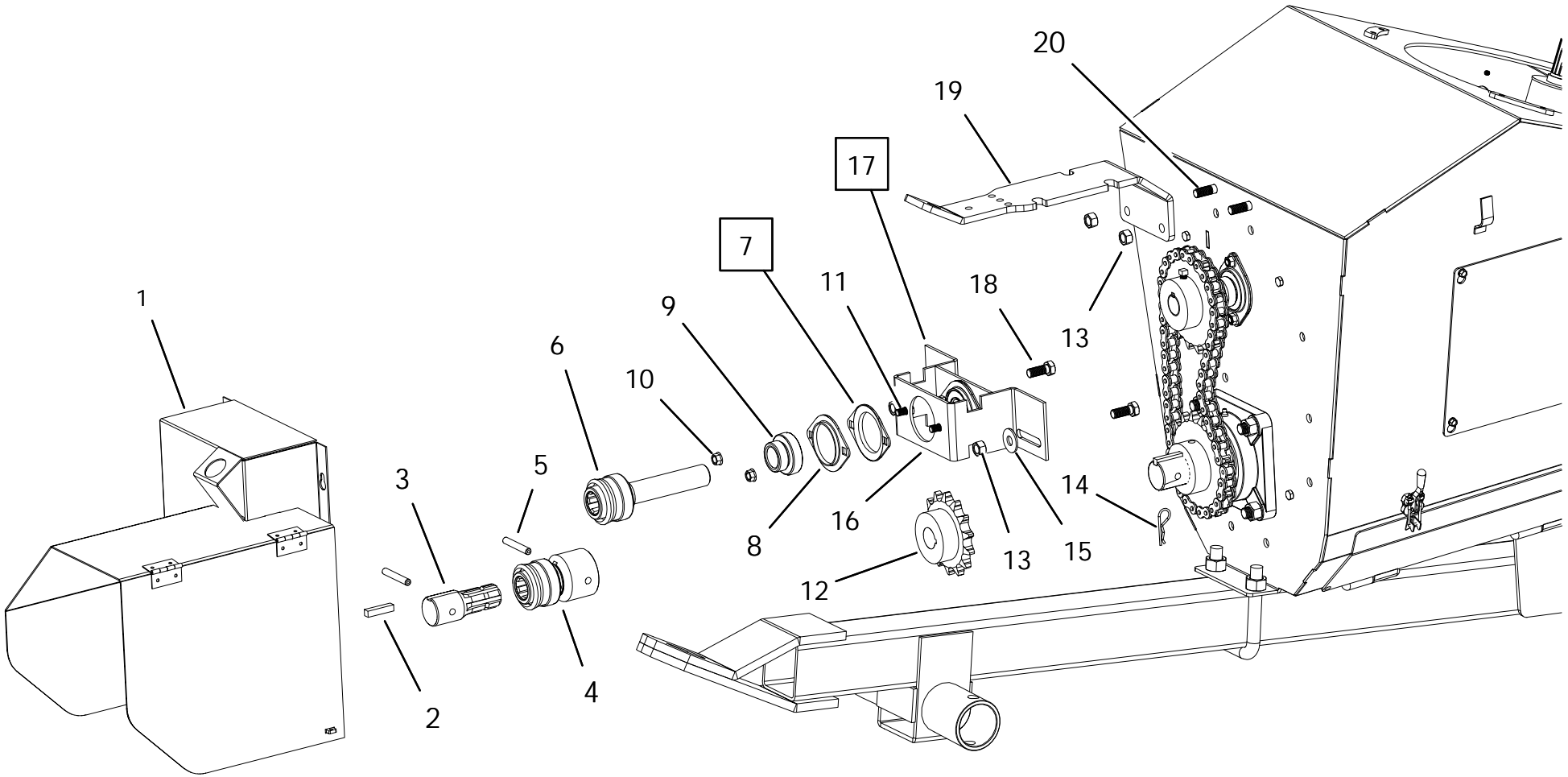
ITEM	PART NO.	DESCRIPTION
1	10-23662	GEAR SWING TUBE W/ TRANSITION
2	10-18931	SWING TUBE
3	10-18877	STOP PLATE - HOPPER SPOUT
4	10-19537	BOLT, 1/4" X 1/2" HEX WSHR HEAD GR 5 PLTD
5	10-19588	1/2" X 1-1/4" BOLT GR 5
6	10-18947	BOLT, 1/2" X 4" NC GR 8 PLTD
7	10-27889	LEVELLER BUSHING
8	10-19594	FLANGE NUT, 1/4" PLTD
9	10-19599	1/2" NC NYLON LOCKNUT GR 2 PLTD
10	10-27560	UPPER GEARBOX
11	10-19605	LOCKWASHER, 1/2" PLTD
12	10-17401	1/2" FLAT WASHER PLTD
13	10-29992	GEARBOX CONNECTOR
14	10-24295	SWING FLIGHT
15	10-18079	ROLL PIN, 5/16" X 2"
16	10-29895	#50 X 20P DOUBLE CHAIN
17	10-29139	SPLINED U-JOINT
18	10-29119	SETSCREW, 3/8" X 1" GR8 SQ END
19	10-19606	1/4" SQUARE X 1.5" KEY
20	10-20048	#50 X 20P DOUBLE CHAIN CONNECTOR
21	10-18728	EXTENSION SPRING
22	10-21004	SPOUT HEAD ASSEMBLY (2014)
23	10-21022	SPOUT HEAD LID
24	10-21002	SPOUT HEAD DOOR
25	10-21021	SPOUT HEAD BUSHING
26	10-29176	18" ID X 15" LONG CLEAR FLEX HOSE
27	10-20063	HOSE STRAP, SPOUT HEAD
28	10-21003	SPOUT HEAD ONLY (2014)
29	10-21097	SPOUTHEAD BASE, SPOUT HEAD
30	10-18185	ASF\0621 RIVET (LARGE FLANGE)
31	10-19589	1/2" X 1-1/2" BOLT GR8
32	10-19988	1/4" X 1" NC BOLT GR2 PLTD
33	10-20052	MA6512230 LATCH AND CATCH
34	10-23769	5/32 X 39/64 RIVET, LOW PROFILE
35	10-17182	1"OD X 29/64"ID X 10 GA WASHER PLTD
36	10-28449	1/4" NC NYLON LOCKNUT PLTD
37	10-29252	DUCTING SECURE TAB
38	10-21394	SPOUTHEAD W/DOOR AND LID
39	10-29977	LP TRANSITION ASSEMBLY
40	10-21100	LP TRANSITION ACCESS DOOR
41	10-21101	TRANSITION BELT
42	10-21102	TRANSITION BELT STRAP
43	10-20399	3/16" X 5/8" GRIP RIVET
44	10-18698	BOLT, 7/16" X 1-1/4"
45	10-19598	LOCKNUT, 7/16"
46	10-20051	CABLE ATTACH BRACKET (HOPPER)
47	10-17593	7/16" NC NYLON LOCKNUT GR5 YLW PLTD
48	10-17754	3/8" NC HEX NUT PLAIN

1



## HX130 HOPPER

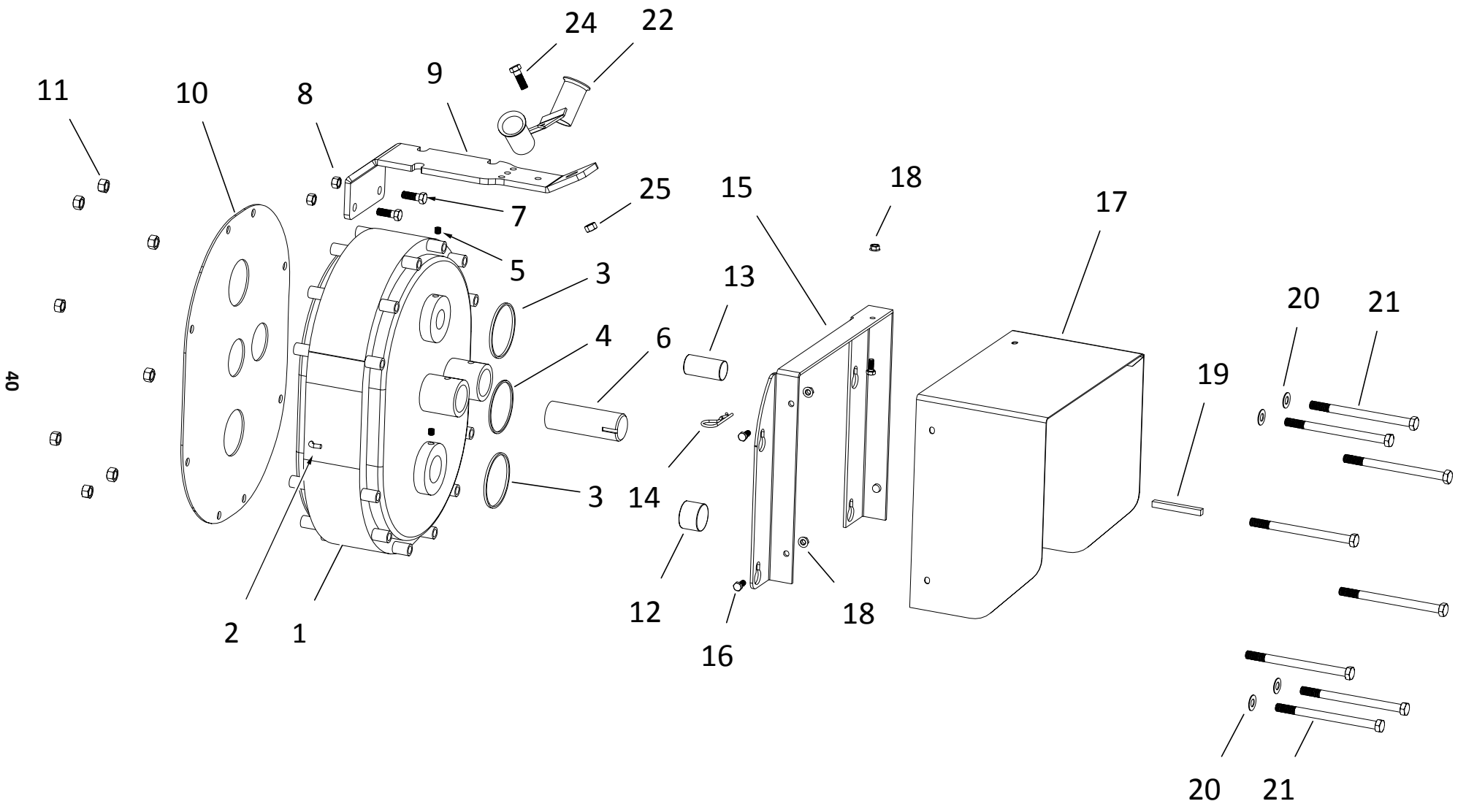
ITEM	PART NO.	DESCRIPTION
1	10-23663	LP HOPPER ASSEMBLY
3	10-29978	LP HOPPER ONLY
4	10-22051	12-1/2 BELTING ATTACH STRAP
5	10-22049	4-3/4 BELTING ATTACH STRAP
6	10-29998	LYNCH PIN 3/16 X 1-1/4 Y.ZINC PLTD
7	10-20461	LP DOOR PIN
8	10-20399	3/16" X 5/8" GRIP RIVET
9	10-29896	LP RUBBER BELTING
10	10-19590	BOLT, 5/8" X 1-1/2" GR8
11	10-19600	5/8" NYLON LOCKNUT
13	10-23967	LP HOPPER FLIGHT LH
14	10-23966	LP HOPPER FLIGHT RH
15	10-17347	13 HOPPER DRIVESHAFT
16	10-19224	1/4" x 1" WOODRUFF KEY
17	10-17029	CROSS KIT
17	10-29175	HIGH ANGLE LP U-JOINT
18	10-29117	SETSCREW, 3/8" X 3/4" GR8 SQ END
19	200399	NECK FLIGHT SUPPORT
20	10-18955	3/8" X 1" NC BOLT GR 5 PLTD
21	10-24296	NECK FLIGHT
22	10-19222	1/4" #28 GREASE ZERK
23	10-17352	TOP MOUNT BUSHING SUPPORT
25	10-19149	1" BUSHING
26	10-19540	3/8" X 3/4" BOLT GR5
27	10-17402	3/8" NC NYLON LOCKNUT PLTD
28	10-17392	3/8" FLAT WASHER
29	10-17522	LP Hopper Tires
30	10-19463	210 HITCH PIN
31	10-19538	5/16" X 3/4" BOLT GR2
32	10-19595	5/16" FLANGENUT
33	10-18817	1" BEARING w/ COLLAR
34	10-18694	1" FLANGETTE
35	10-17369	LP CHAIN
36	10-19966	5/8" FLAT WASHER PLTD
37	10-18096	5/8" RIM WASHER
38	10-29894	50C15 X 5/8 IDLER SPROCKET
39	10-19131	SPROCKET, 50B14 x 1", SINGLE
40	10-20430	#50 (HEAVY) CONNECTOR LINK
41	10-20516	#50-1R X 47P ROLLER CHAIN
42	10-27484	BOLT, 5/8" X 2-1/4" GR8
43	10-29981	LP CHAIN COVER
45	10-20082	3/8" WINGNUT
46	10-17389	#50 OFFSET LINK (HEAVY)
47	10-17349	SPROCKET, 50B20 x 1", DOUBLE
49	10-17583	BUSHING SUPPORT
50	10-17394	LP FIXED WHEEL AXLE
51	10-22050	10 BELTING ATTACH STRAP
57	10-19225	3/8" X 3/8" SET SCREW
58	10-17584	PLUG



## A263 REVERSER

ITEM	PART NO.	DESCRIPTION	NOTES
1	10-20039	REVERSER SHIELD	
2	10-17066	SQUARE KEY, 3/8" X 1-3/4"	
3	10-17023	SPLINE SHAFT (PROD #11980)	
4	10-17052	REV LOWER COUPLER	
5	10-18546	3/8" X 2-1/2" COILED ROLL PIN	
6	10-17054	REVERSER COUPLER	
7	10-19322	2 HOLE BEARING ASSEMBLY	
8	10-18695	2 HOLE BEARING FLANGE	
9	10-18853	BEARING INSRTS	
10	10-19596	3/8" SERRATED FLANGE NUT	
11	10-29246	3/8" X 1" BOLT GR8 SHEAR	
12	10-17068	80B14 X 1-1/4" SPROCKET, REVERSER	
13	10-19599	1/2" NC NYLON LOCKNUT GR 2 PLTD	
14	10-19463	210 HITCH PIN	
15	10-17401	1/2" FLAT WASHER PLTD	
16	10-20088	REVERSER BASE BRACKET	
17	10-20089	REVERSER BASE ASSEMBLY	INCLUDES ITEM 6, 9, 12, 16
18	10-19588	1/2" X 1-1/4" BOLT GR 5	
19	10-20043	PTO/VALVE BRACKET, 10"/13"	
20	10-19589	1/2" X 1-1/2" BOLT GR8	

**A262 SPEED REDUCER**



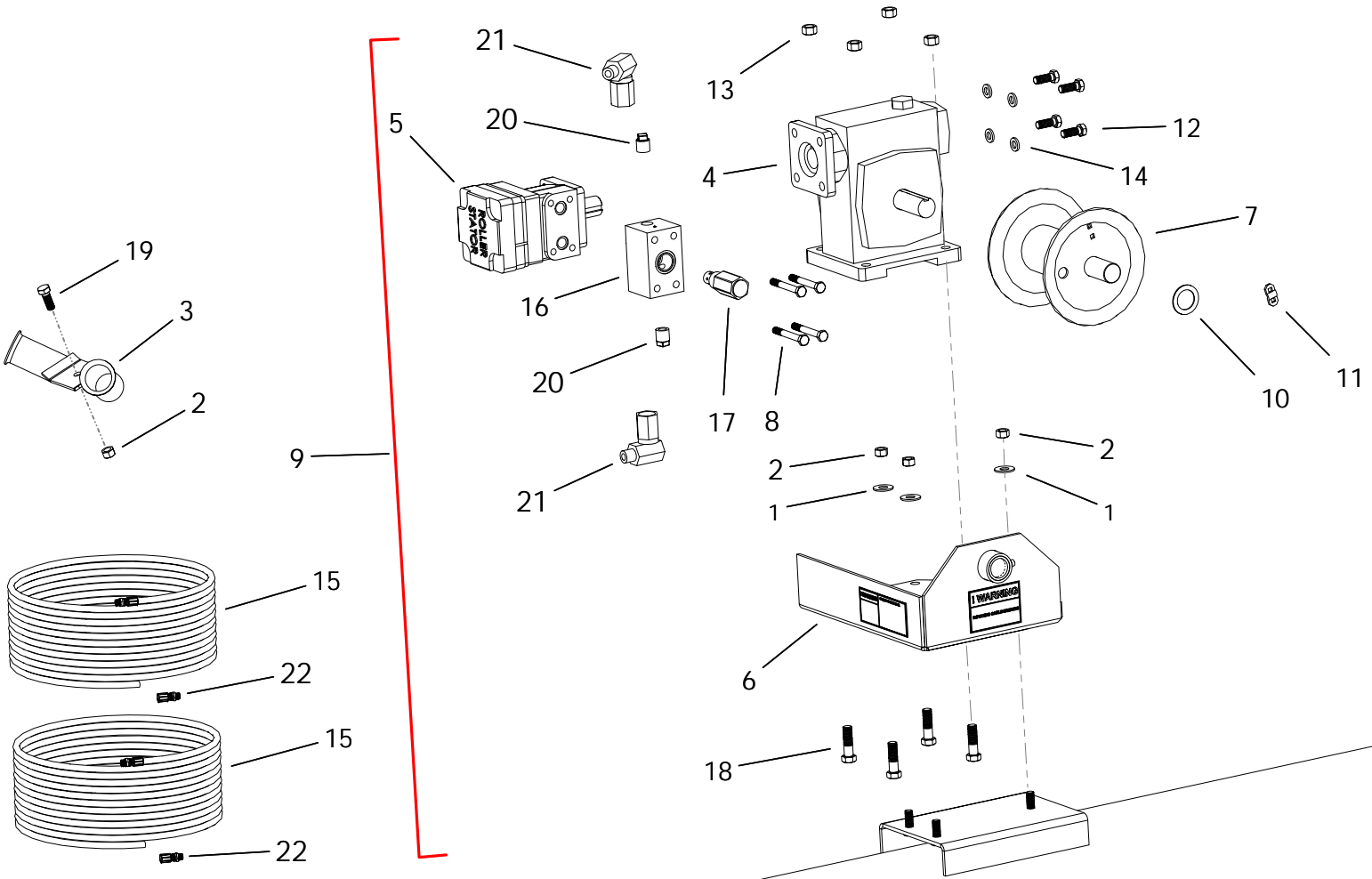
40



## A262 SPEED REDUCER

ITEM	PART NO.	DESCRIPTION
1	10-27710	M1000-3 SPEED REDUCER
2	10-28603	BREATHER TUBE AND VENT PLUG
2A	10-20353	VENT PLUG ONLY
3	10-28527	OIL SEAL (95 X 75 X 10)
4	10-28526	OIL SEAL (80 X 60 X 12)
5	10-19608	5/16" X 3/8" SET SCREW
6	10-28305	REPLACEMENT SPLINE SHAFT
7	10-18698	BOLT, 7/16" X 1-1/4"
8	10-19598	LOCKNUT, 7/16"
9	10-20043	PTO/VALVE BRACKET, 10"/13"
10	10-29996	REDUCER SEALING PLATE
11	10-19599	1/2" NC NYLON LOCKNUT GR 2 PLTD
12	10-27722	SR BTM SHAFT, 1-3/4"
13	10-27721	SR TOP SHAFT, 1-1/4"
14	10-19463	210 HITCH PIN
15	10-20040	REDUCER SHIELD BRACKET
16	10-19538	5/16" X 3/4" BOLT GR2
17	10-20041	REDUCER PTO SHIELD
18	10-19595	5/16" FLANGENUT
19	10-17066	SQUARE KEY, 3/8" X 1-3/4"
20	10-17401	1/2" FLAT WASHER PLTD
21	10-27719	1/2" X 7" BOLT GR5
22	10-17467	DOUBLE HOSE HOLDER
24	10-18955	3/8" X 1" NC BOLT GR 5 PLTD
25	10-17402	3/8" NC NYLON LOCKNUT PLTD
26	10-29272	LOCKING SYSTEM KIT

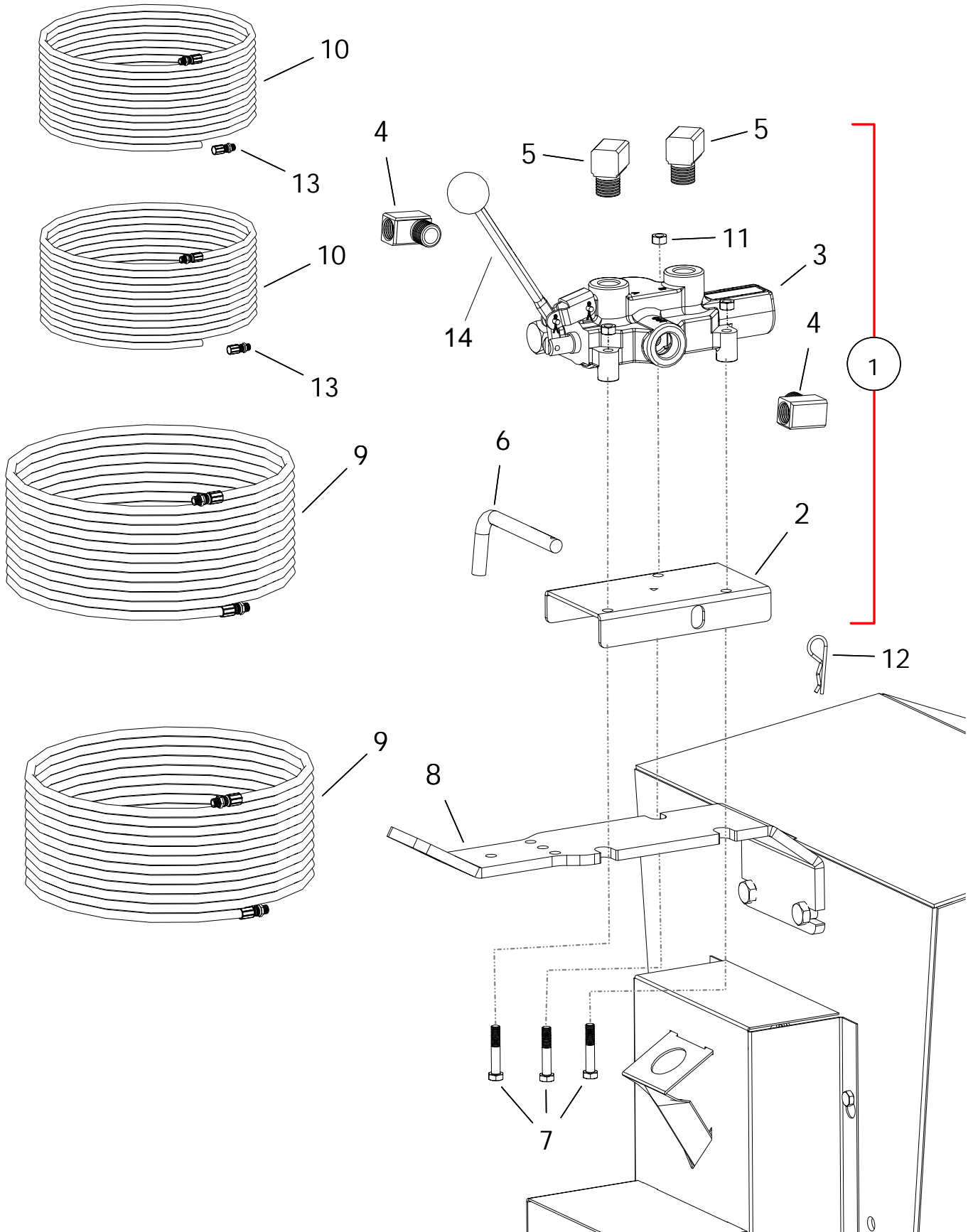
# A266 HYDRAULIC WINCH



## A266 HYDRAULIC WINCH

ITEM	PART NO.	DESCRIPTION
1	10-17392	3/8" FLAT WASHER
2	10-17402	3/8" NC NYLON LOCKNUT PLTD
3	10-17467	DOUBLE HOSE HOLDER
4	10-17625	HYDRAULIC WINCH GEARBOX
5	10-17626	HYDRAULIC MOTOR
6	10-17628	HYD WINCH FRAME ASSM RED
7	10-17629	HYD WINCH DRUM RED
8	10-17631	5/16" X 2-1/2" NC BOLT GR 2 PLTD
9	10-17634	HYDRAULIC WINCH ASSEMBLY, RED
10	10-18097	1" RIM WASHER
11	10-18496	ROPE KEEPER KIT
12	10-18955	3/8" X 1" NC BOLT GR 5 PLTD
13	10-19598	LOCKNUT, 7/16"
14	10-19604	3/8" LOCK WASHER
15	10-20037	1/2" X 236" HYDRAULIC HOSE
16	10-28221	MANIFOLD WINCH RELIEF BLOCK
17	10-28222	VALVE WINCH NON-ADJ RELIEF MANIFOLD
18	10-28744	BOLT, 7/16" X 1-1/2"
19	10-29246	3/8" X 1" BOLT GR8 SHEAR
20	0308013	3/8" NTP PLASTIC PLUG
21	1100625	STEEL ELBOW 90,1/2FNPSMX3/8MNPT
22	9900047	PIONEER COUPLER

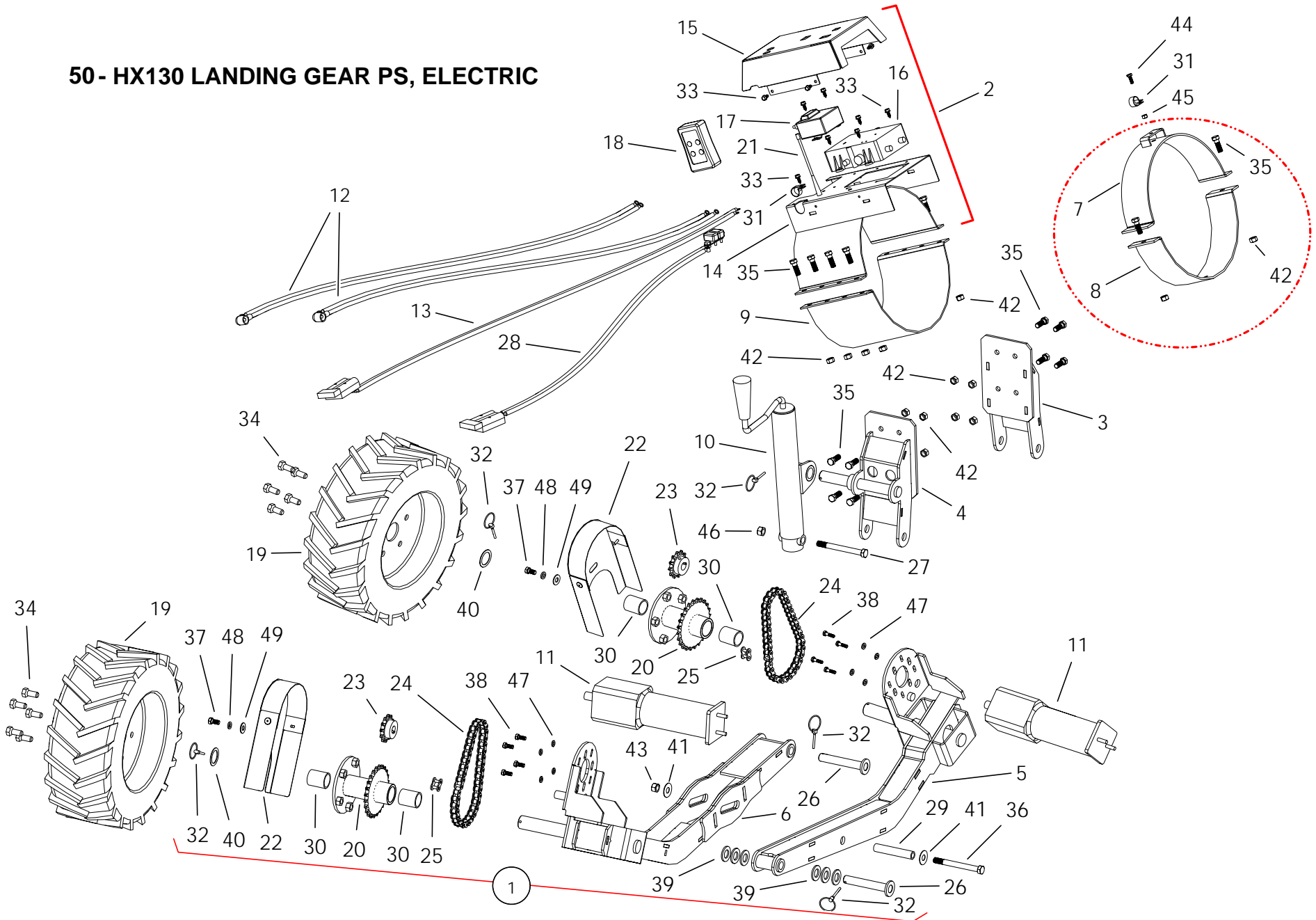
# A335 HYDRAULIC VALVE



## A335 HYDRAULIC VALVE

ITEM	PART NO.	DESCRIPTION
1	10-20132	HYD VALVE ASSEMBLY
2	10-20044	VALVE MOUNT PLATE
3	10-17675	HYD VALVE ONLY
4	10-29087	STEEL ELBOW 90, 12MNPT X 8FNPSM
5	10-28478	STEEL ELBOW 90, 8MNPT x 8FNPSM
6	10-19648	SADDLE PIN
7	10-17712	5/16" X 1-3/4" BOLT GR 5
8	10-20043	PTO/VALVE BRACKET, 10"/13"
9	10-29363	1/2" X 150" HYDRAULIC HOSE
10	10-29371	1/2" X 80" HYDRAULIC HOSE
11	10-19980	5/16" NC NYLON LOCKNUT PLTD
12	10-17383	3610 GRIP CLIP
13	9900047	PIONEER COUPLER
14	10-27590	POWERSWING VALVE HANDLE KIT

# 50 - HX130 LANDING GEAR PS, ELECTRIC

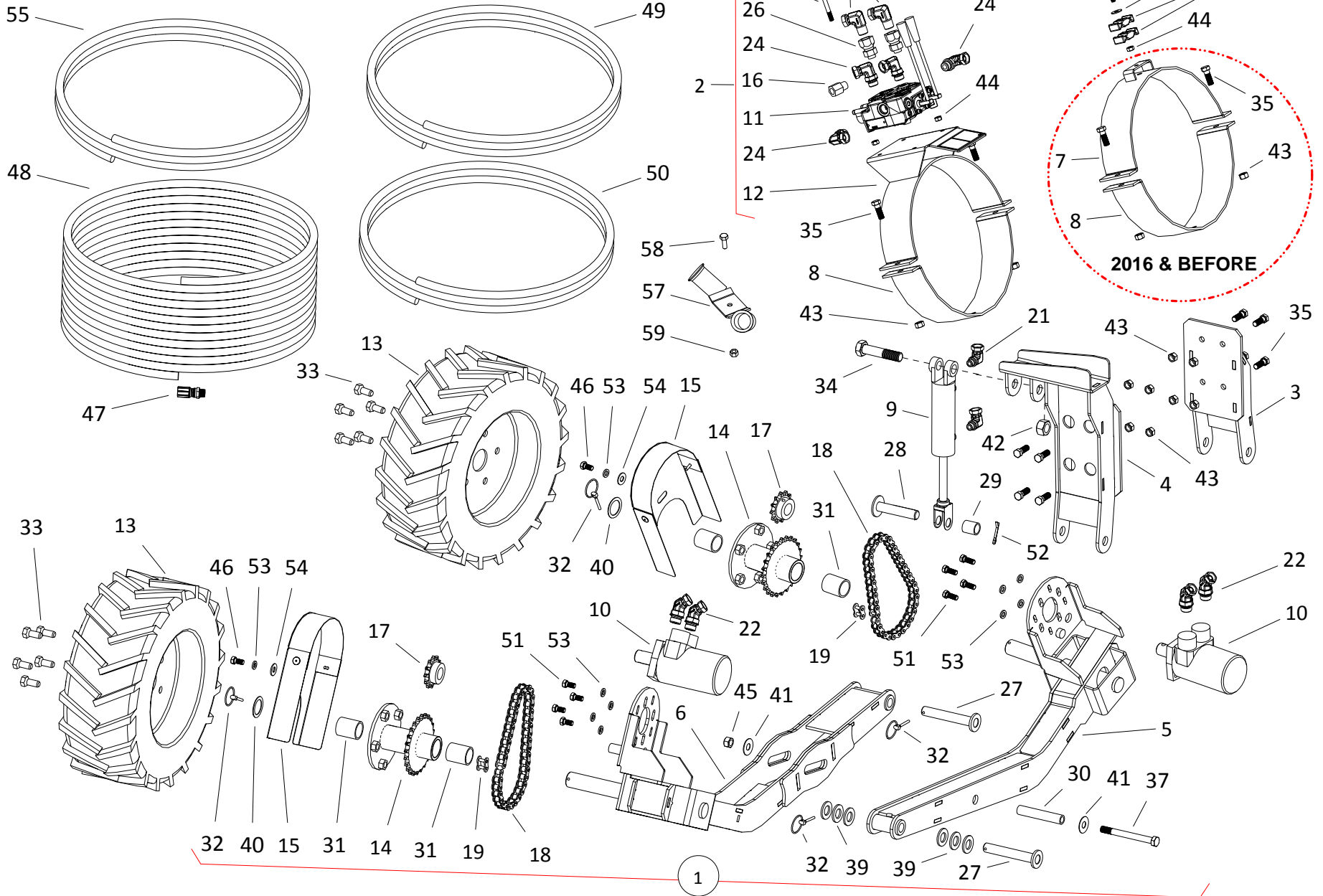


A334HM ELECTRIC LANDING GEAR POWER SWING-13"

## A334HM ELECTRIC LANDING GEAR POWER SWING-13"

ITEM	PART NO.	DESCRIPTION
1	10-22563	LANDING GEAR PS ELEC ASSEMBLY
2	10-20158	ASSY, 13" P/S TOP CLAMP RECEIVER
3	10-22554	ATTACH, RH, LGPS
4	10-22553	MANUAL JACK ATTACH, LGPS
5	10-22562	SHORT X-ARM, RH, LGPS
6	10-22564	SHORT X-ARM, LH, LGPS
7	10-21537	HOSE CLAMP
8	10-18987	HALF CLAMP, 13"
9	10-27455	13" HITCH RING
10	10-22555	JACK, MANUAL, LANDING GEAR PS
11	10-20138	MOTOR, 12V DC
12	10-20168	WIRE HARNESS - CONTACTOR TO MOTOR
13	10-22582	WIRE ASSY CONTACTOR/QUICK CONNECT
14	10-20177	13" TOP CLAMP W.A. RC - POWERSWING
15	10-20178	COVER, PS RECEIVER ARMOR - POWERSWING
16	10-20135	RECEIVER
17	10-20136	CONTACTOR
18	10-20134	TRANSMITTER
19	10-20137	POWERSWING 5 BOLT WHEEL ASSEMBLY
20	10-20166	ASSY HUB, W/ BUSHING
21	10-20524	ANTENNA
22	10-22164	CHAIN GUARD, LANDING GEAR
23	10-20210	50B12 X 3/4 SPROCKET
24	10-19133	#50-1R X 37P ROLLER CHAIN
25	10-19134	#50 CONNECTOR LINK
26	10-22168	PIN, LANDING GEAR
27	10-27815	BOLT, 5/8" X 4" NC PLTD
28	10-20169	WIRE ASSY BATTERY TO QUICK CONNECT
29	10-22187	SLIDER BUSHING, LANDING GEAR
30	10-19776	BUSHING, 1-1/4"
31	10-20268	5/8 X 1/2 INSULATED CLAMP
32	10-29998	LYNCH PIN 3/16 X 1-1/4 Y.ZINC PLTD
33	10-19274	#14 X 5/8" SMS AB GR 5 PLTD
34	10-20565	1/2" X 1" WHEEL BOLT (BLACK)
35	10-18698	BOLT, 7/16" X 1-1/4"
36	9900564	1/2" X 5" UNC BOLT GR5 PLTD
37	10-19540	3/8" X 3/4" BOLT GR5
38	10-19988	1/4" X 1" NC BOLT GR2 PLTD
39	10-19979	3/4" FLAT WASHER PLTD
40	10-17651	1-1/4" RIM WASHER
41	10-17401	1/2" FLAT WASHER PLTD
42	10-17593	7/16" NC NYLON LOCKNUT GR5 YLW PLTD
43	10-19599	1/2" NC NYLON LOCKNUT GR 2 PLTD
44	9900800	1/4" X 3/4" NC BOLT GR5 PLTD
45	10-28449	1/4" NC NYLON LOCKNUT PLTD
46	10-19600	5/8" NYLON LOCKNUT
47	9900783	1/4" LOCK WASHER
48	10-19604	3/8" LOCK WASHER
49	10-17392	3/8" FLAT WASHER
50	05-A334HM	HX130 LANDING GEAR PS, ELECTRIC

60 - HX130 LANDING GEAR POWER SWING, HYDRAULIC

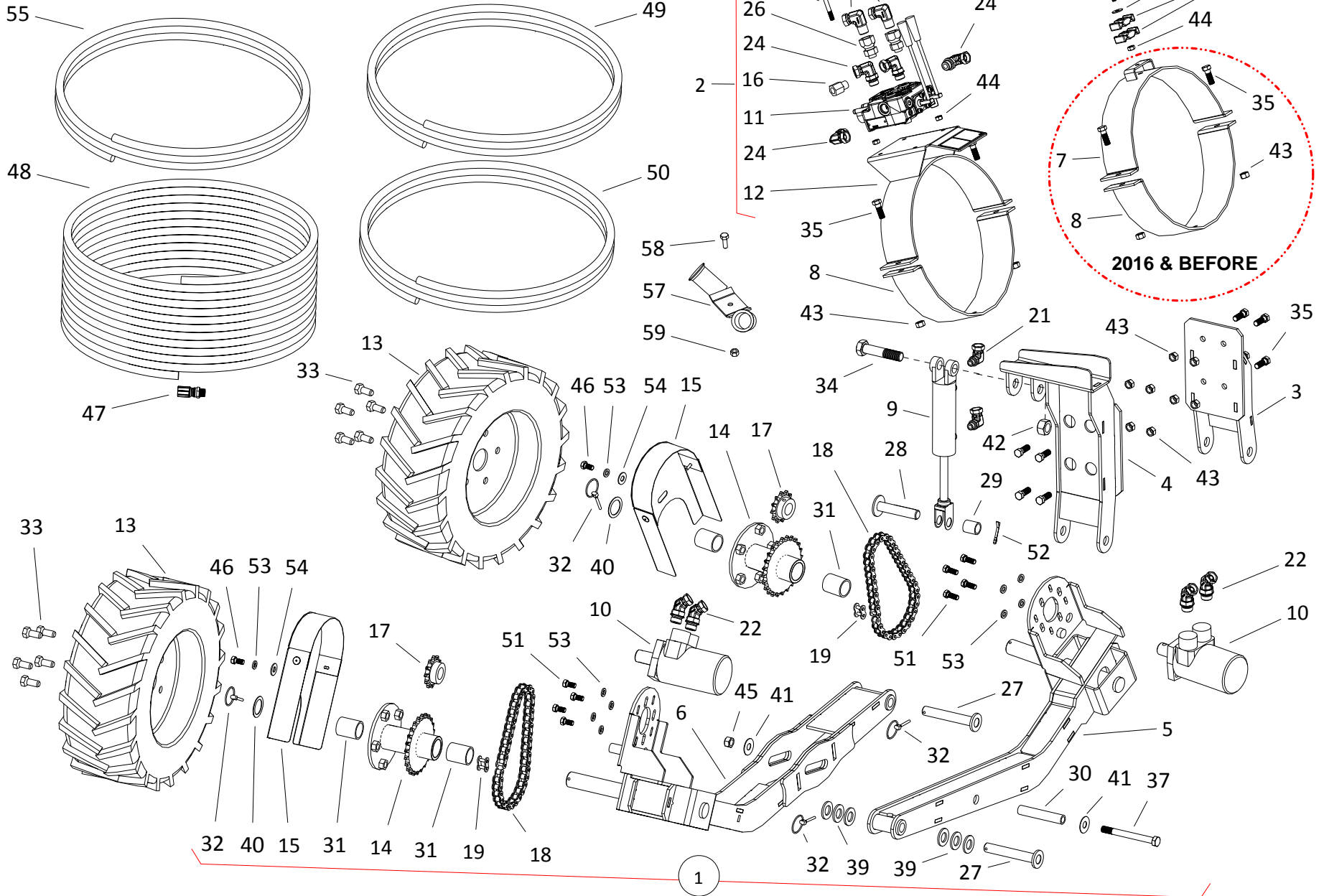




## A333HM HYDRAULIC LANDING GEAR POWER SWING-13"

ITEM	PART NO.	DESCRIPTION
1	10-22560	LANDING GEAR PS HYD ASSEMBLY
2	10-22547	2-SPOOL VALVE ASSY, LANDING GEAR PS, 13"
3	10-22554	ATTACH, RH, LGPS
4	10-22559	HYD CYLINDER ATTACH, LGPS
5	10-22562	SHORT X-ARM, RH, LGPS
6	10-22564	SHORT X-ARM, LH, LGPS
7	10-21537	HOSE CLAMP
8	10-18987	HALF CLAMP, 13"
9	10-22161	1-1/2 X 8 HYDRAULIC CYLINDER
10	10-20246	PS HYD MOTOR, 17.9 CU IN
11	10-22548	2 SPOOL VALVE, 8 GPM
12	10-22549	2-SPOOL VALVE MOUNT, LGPS
13	10-20137	POWERSWING 5 BOLT WHEEL ASSEMBLY
14	10-20166	ASSY HUB, W/ BUSHING
15	10-22164	CHAIN GUARD, LANDING GEAR
16	10-22746	ORIFICE, 3/8" MALE X 3/8" FEMALE
17	10-20211	50B12 X 1 SPROCKET
18	10-19133	#50-1R X 37P ROLLER CHAIN
19	10-19134	#50 CONNECTOR LINK
20	10-28732	LINE BLOCK
21	10-22191	STEEL ELBOW 6MORB X 3/8 NSPM
22	10-22556	ADAPTER, 45 DEG, #10MORB X #6FNPSM
23	10-22557	STEEL ELBOW, 8MNPT X 6FNPSM
24	10-22558	STEEL ELBOW, 8MORB X 6FNPSM
25	10-28654	STEEL ELBOW 90DEG, 8MORB X 8FNPSM
26	10-28477	STEEL FITTING, 8MORB X 1/2FNPSM
27	10-22168	PIN, LANDING GEAR
28	10-22577	PIN, LGPS CYLINDER ATTACH
29	10-22578	SPACER SLEEVE, LGPS CYL ATTACH
30	10-22187	SLIDER BUSHING, LANDING GEAR
31	10-19776	BUSHING, 1-1/4"
32	10-29998	LYNCH PIN 3/16 X 1-1/4 Y.ZINC PLTD
33	10-20565	1/2" X 1" WHEEL BOLT (BLACK)
34	10-20398	3/4" X 3-1/2" NC BOLT GR 5 PLTD
35	10-18698	BOLT, 7/16" X 1-1/4"
36	10-17631	5/16" X 2-1/2" NC BOLT GR 2 PLTD
37	9900564	1/2" X 5" UNC BOLT GR5 PLTD
39	10-19979	3/4" FLAT WASHER PLTD
40	10-17651	1-1/4" RIM WASHER
41	10-17401	1/2" FLAT WASHER PLTD
42	10-19601	3/4" NC NYLON LOCKNUT PLTD
43	10-17593	7/16" NC NYLON LOCKNUT GR5 YLW PLTD
44	10-19980	5/16" NC NYLON LOCKNUT PLTD
45	10-19599	1/2" NC NYLON LOCKNUT GR 2 PLTD
46	10-19540	3/8" X 3/4" BOLT GR5
47	9900047	PIONEER COUPLER
48	10-29368	1/2" X 247" HYDRAULIC HOSE
49	10-29414	3/8" X 46" HYDRAULIC HOSE
50	10-28229	3/8" X 50" HYDRAULIC HOSE
51	10-18955	3/8" X 1" NC BOLT GR 5 PLTD

60 - HX130 LANDING GEAR POWER SWING, HYDRAULIC

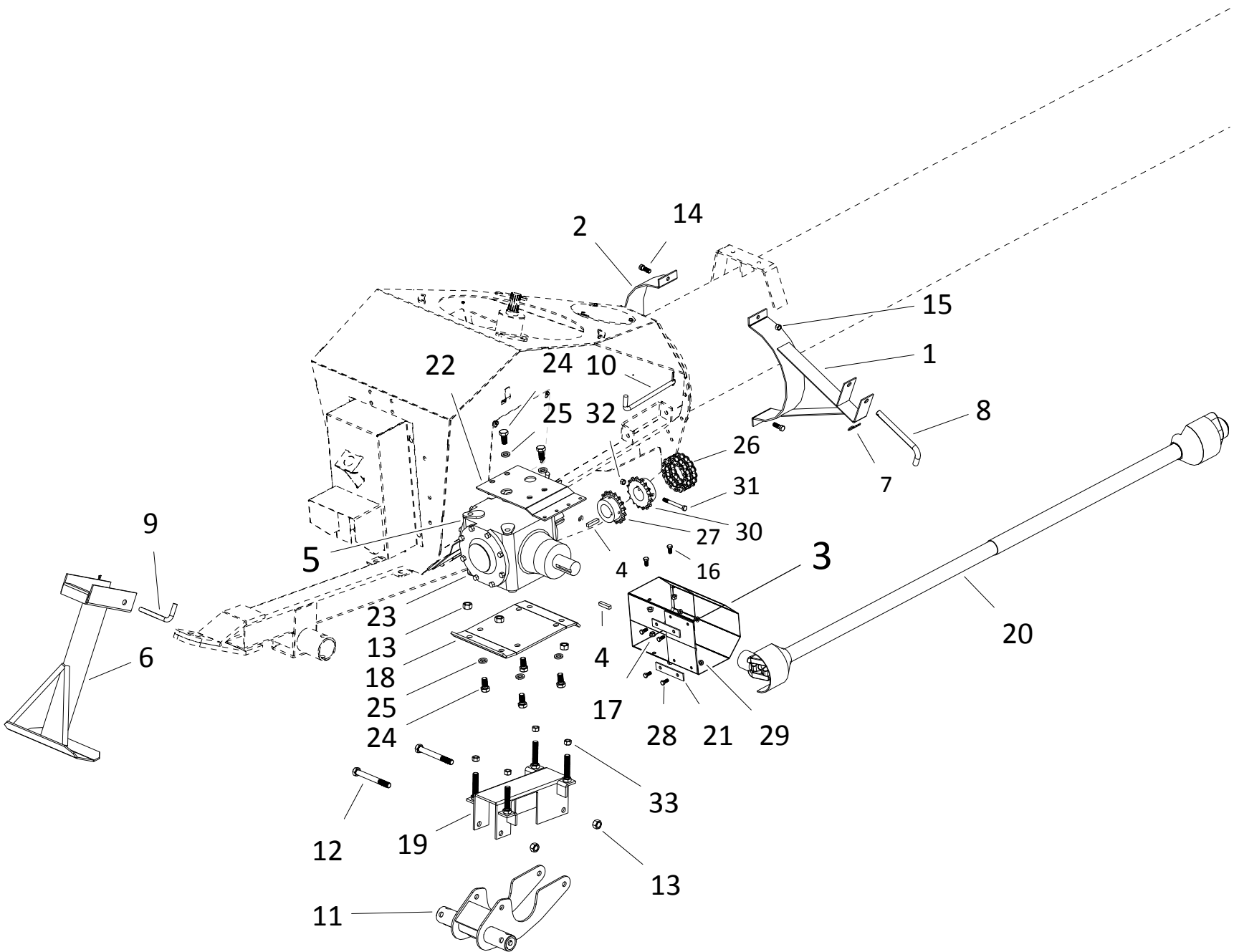


50

## A333HM HYDRAULIC LANDING GEAR POWER SWING-13"

ITEM	PART NO.	DESCRIPTION
52	10-18155	COTTER PIN, 3/16" x 1-1/4"
53	10-19604	3/8" LOCK WASHER
54	10-17392	3/8" FLAT WASHER
55	10-22744	3/8" X 80" HYDRAULIC HOSE
56	10-27336	FLAT WASHER, 5/16"
57	10-17467	DOUBLE HOSE HOLDER
58	10-29246	3/8" X 1" BOLT GR8 SHEAR
59	10-17402	3/8" NC NYLON LOCKNUT PLTD
60	05-A333HM	HX130 LANDING GEAR PS, HYD

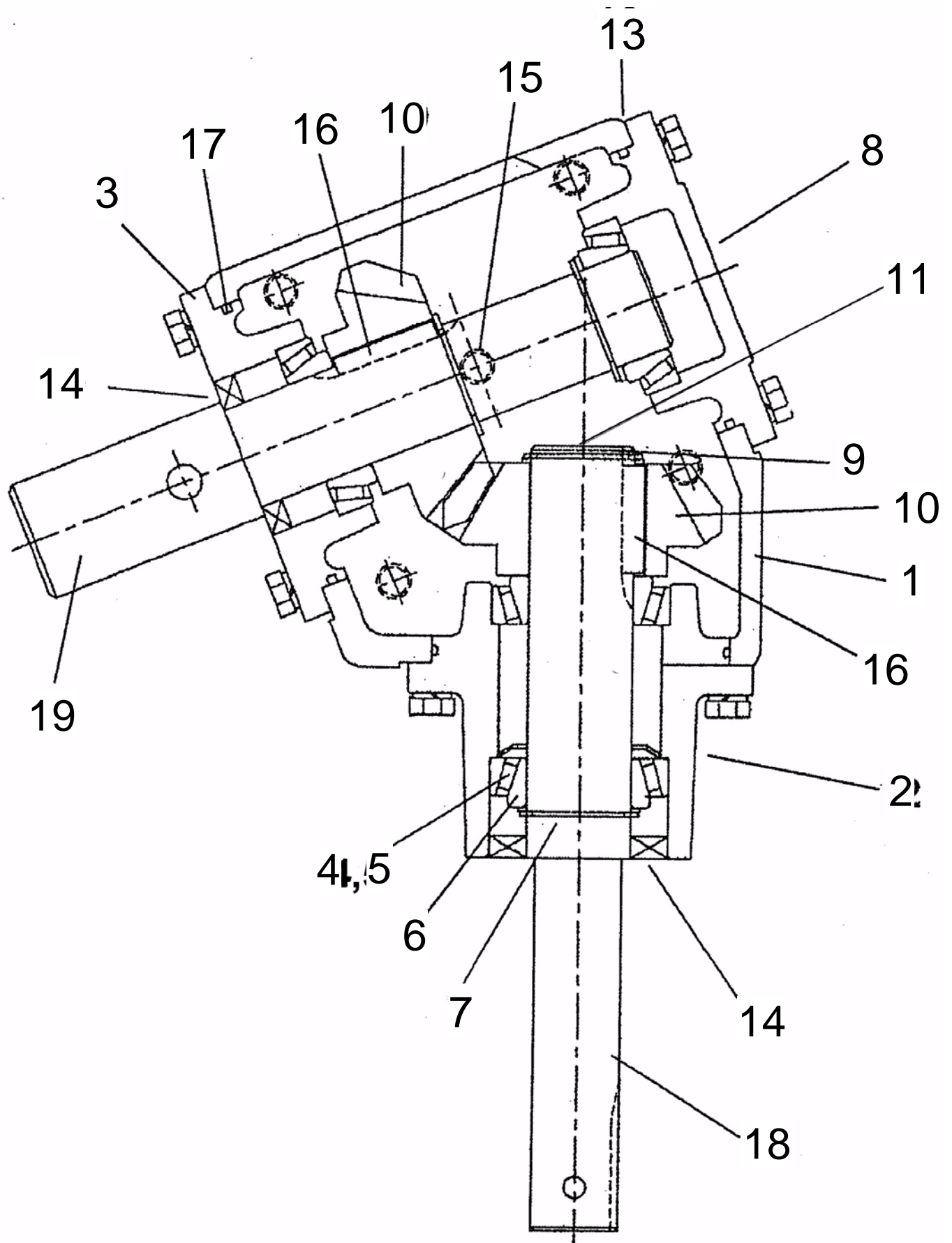
**A267 RIGHT ANGLE DRIVE KIT**



## A267 RIGHT ANGLE DRIVE KIT

ITEM	PART NO.	DESCRIPTION
1	10-17259	TRANSPORT SADDLE
2	10-18987	HALF CLAMP, 13"
3	10-17258	SHIELD ASSM
4	10-17066	SQUARE KEY, 3/8" X 1-3/4"
5	10-20110	GEARBOX ASSY, RAD
6	10-20106	RAD LEG
7	10-19463	210 HITCH PIN
8	10-19648	SADDLE PIN
9	10-17181	CLEVIS PIN
10	10-18074	MOUNT PIN
11	10-20107	RAD JACK MOUNT
12	10-17632	BOLT, 5/8" x 5 1/2" GR8
13	10-19600	5/8" NYLON LOCKNUT
14	10-18698	BOLT, 7/16" X 1-1/4"
15	10-19598	LOCKNUT, 7/16"
16	10-19540	3/8" X 3/4" BOLT GR5
17	10-19596	3/8" SERRATED FLANGE NUT
18	10-20109	RAD ADJUSTMENT PLATE
19	10-20108	RAD GEARBOX MOUNT
20	10-17260	RAD PTO SHAFT
21	10-18878	4-3/4" STRAP 11843
22	10-17605	RAD ATTACH PLATE
23	10-17250	GEARBOX
24	10-17261	5/8" X 1-1/4" BOLT GR8
25	10-17262	5/8" LOCK WASHER
26	10-17254	ROLLER CHAIN W/ CONNECTOR LINK
27	10-17608	60B16 X 1-3/4" SPROCKET
28	10-19538	5/16" X 3/4" BOLT GR2
29	10-19595	5/16" FLANGENUT
30	10-22195	SPROCKET, 60B16 X 1-3/4
31	10-27982	3/8" X 3-1/2" NC BOLT GR 5 PLTD
32	10-17402	3/8" NC NYLON LOCKNUT PLTD
33	10-19864	5/8" NC HEX NUT PLTD

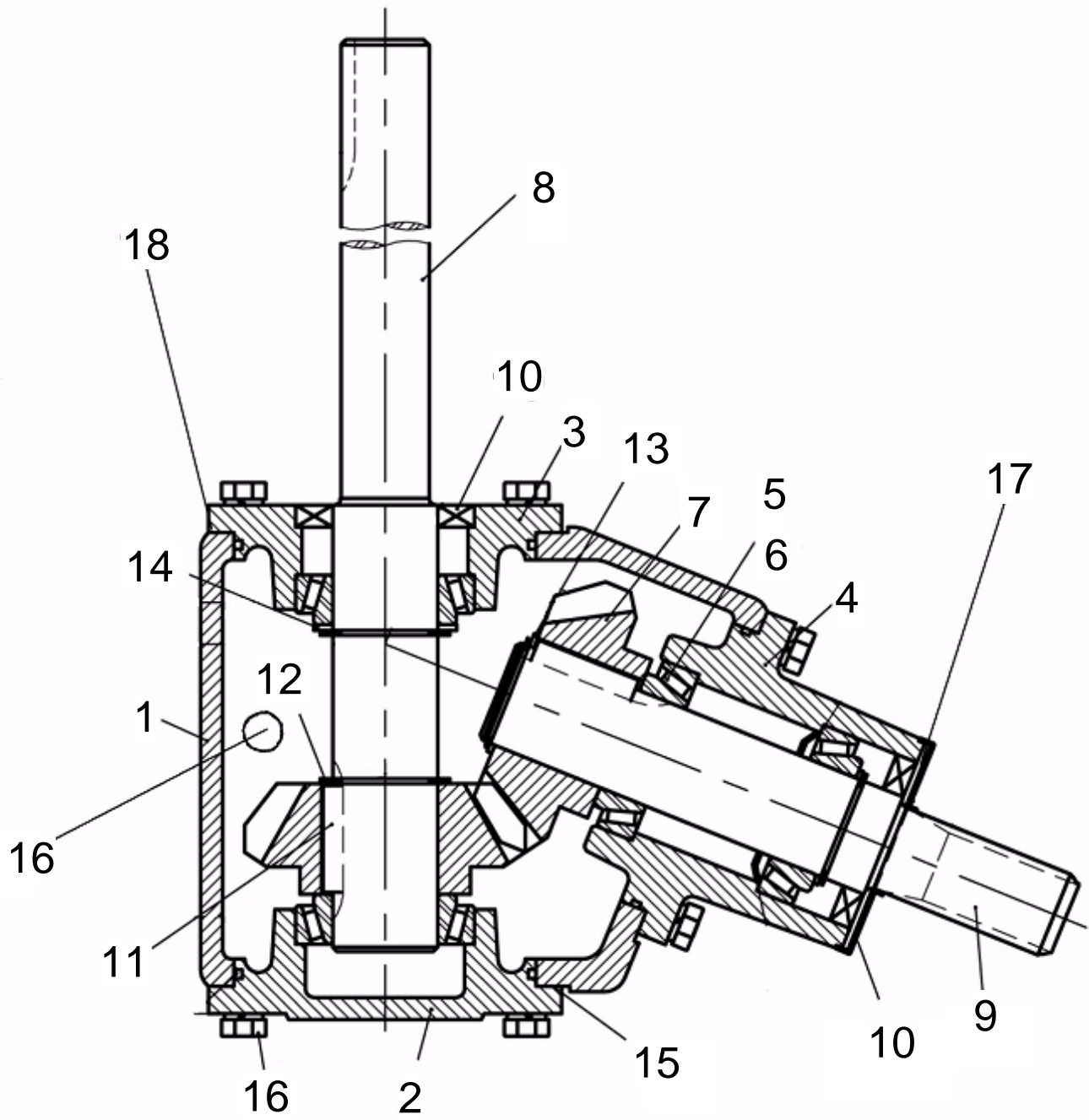
# UPPER GEARBOX (27560)



## UPPER GEARBOX (27560)

ITEM	PART NO.	DESCRIPTION
1	10-27690	housing
2	10-27691	quill
3	10-27692	end cap
4	10-17008	cup TIMKEN #lm29710
5	10-27693	bearing cup #lm29748
6	10-27694	Spacer
7	10-27789	RETAINER ring
8	10-27695	end cap
9	10-27696	SHIM
10	10-27697	gear, dp 4.23 teeth 17
11	10-27708	SNAP RING
13	10-27698	Shim
14	10-27699	Seal, (38.1 x 65.1 x 8)
15	10-28296	3/8" Solid Gearbox Plug
16	10-27700	square key, 5/16" x 1-1/2"
17	10-27701	O-RING, 105 x 3.1 mm
18	10-27703	Pinion shaft
19	10-27705	Cross shaft

# LOWER GEARBOX (29085)

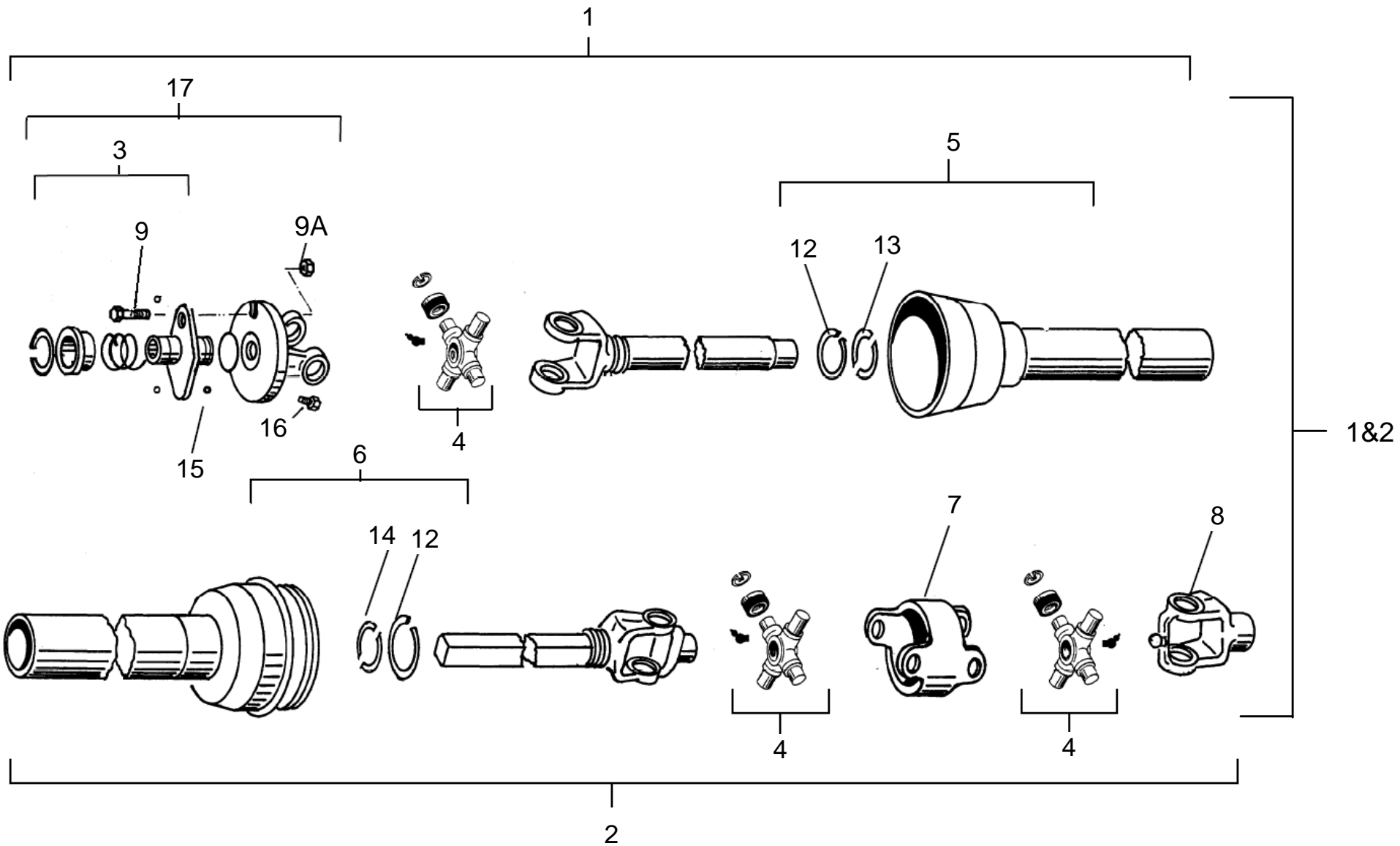




## LOWER GEARBOX (29085)

ITEM	PART NO.	DESCRIPTION
1	10-27690	housing
2	10-27695	end cap
3	10-27692	end cap
4	10-27691	quill
5	10-27693	bearing cup #lm29748
6	10-17008	cup TIMKEN #lm29710
7	10-27697	gear, dp 4.23 teeth 17
8	10-29281	shaft cross gearbox (long)
9	10-27704	Pinion Shaft
10	10-27699	Seal, (38.1 x 65.1 x 8)
11	10-27700	square key, 5/16" x 1-1/2"
12	10-27789	RETAINER ring
13	10-27696	SHIM
14	10-27708	SNAP RING
15	10-27698	Shim
16	10-28296	3/8" Solid Gearbox Plug
17	10-27702	shield
18	10-27701	O-RING, 105 x 3.1 mm

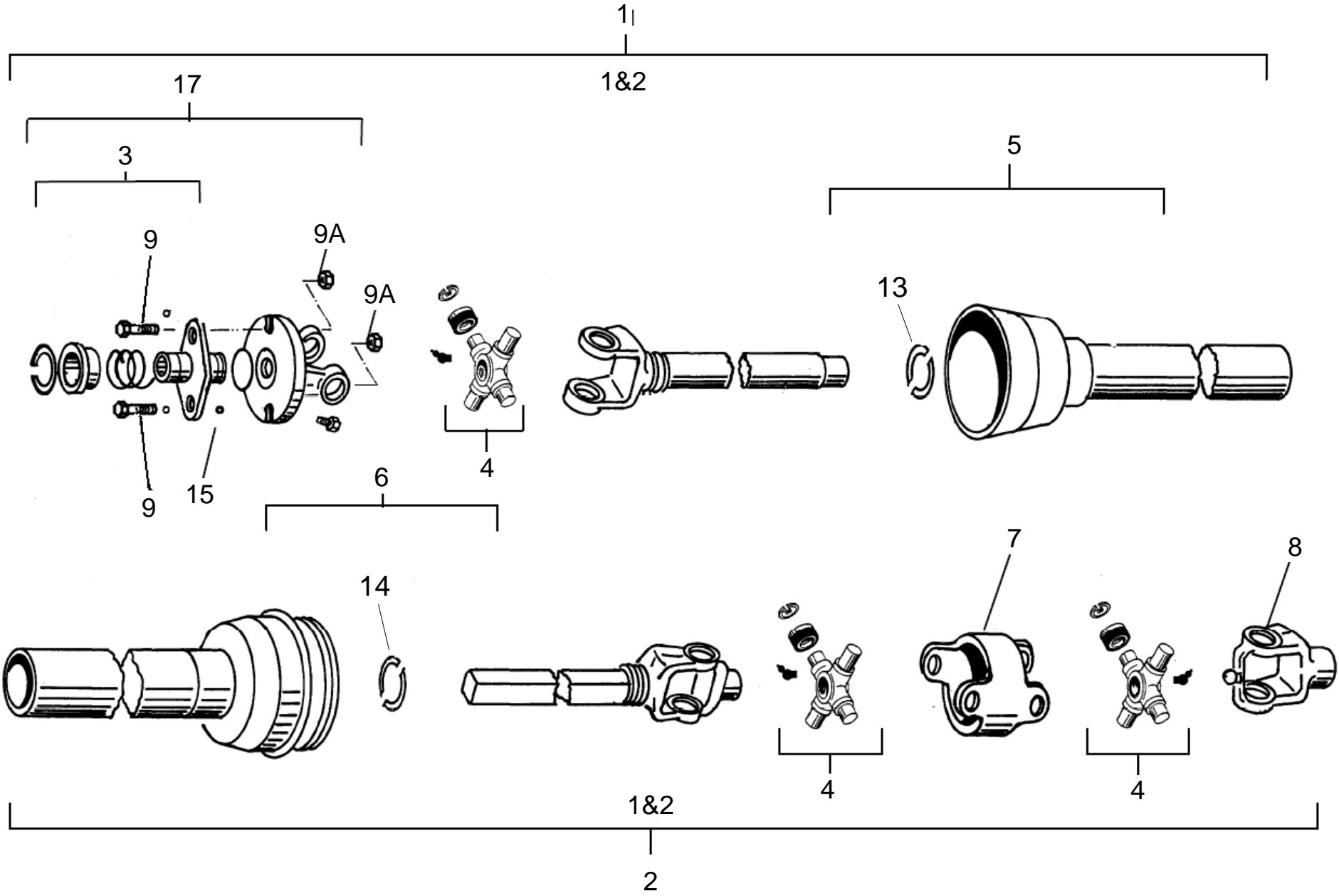
HX130-74 CONSTANT VELOCITY PTO SHAFT (WEASLER)



## HX130-74 CONSTANT VELOCITY PTO SHAFT (WEASLER)

ITEM	PART NO.	DESCRIPTION
1&2	10-18455	BLACK END CV PTO SHFT (74' ONLY)
1	10-18268	1/2 PTO shaft, tractor end
2	10-18269	1/2 PTO shaft, implement end
3	10-18270	SPRING LOCK REPAIR KIT
4	10-18271	Universal joint repair kit
5	10-18272	PLASTIC SHIELD C/W REFERENCE NO. 12&13, TRACTOR END
6	10-18273	PLASTIC SHIELD C/W REFERENCE NO. 12&14, IMPLEMENT END
7	10-18274	CV CENTER HOUSING
8	10-18358	END YOKE
9	10-18454	3/8" X 1" GR8 BOLT
9A	10-18956	3/8" 2-WAY LOCKNUT
12	10-18467	RETAINER RING
13	10-18468	NYLON BEARING
14	10-18441	NYLON BEARING
15	10-18470	BALL BEARING KIT
16	10-19995	BOLT, 3/8" - 16 X 1/2", GR5
17	10-18440	SHEAR ASSEMBLY

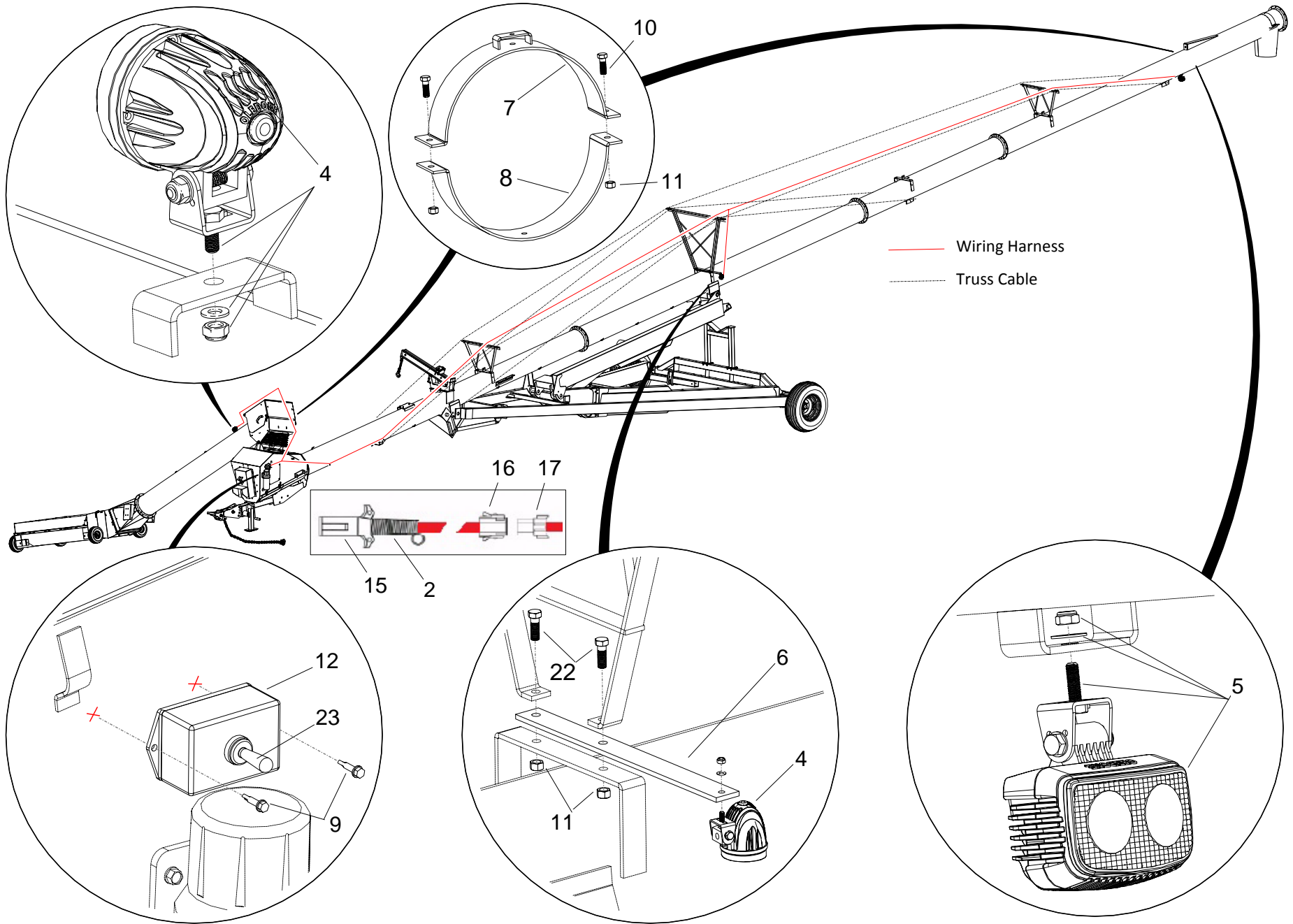
HX130-84, 94 CONSTANT VELOCITY PTO SHAFT (WEASLER)



## HX130-84, 94 CONSTANT VELOCITY PTO SHAFT (WEASLER)

ITEM	PART NO.	DESCRIPTION
1	10-29247	1/2 PTO shaft, tractor end
2	10-17545	1/2 PTO shaft, implement end
1&2	10-29140	YELLOW END CV PTO SHAFT (84'/94' ONLY)
3	10-17546	SPRING LOCK REPAIR KIT
4	10-17547	Universal joint repair kit
5	10-17548	PLASTIC SHIELD C/W REFERENCE NO. 12&13, TRACTOR END
6	10-17549	PLASTIC SHIELD C/W REFERENCE NO. 12&14, IMPLEMENT END
7	10-17550	CV CENTER HOUSING
8	10-17551	END YOKE
9	10-29246	3/8" X 1" BOLT GR8 SHEAR
9A	10-18956	3/8" 2-WAY LOCKNUT
13	10-21993	NYLON BEARING
14	10-21966	NYLON BEARING
15	10-18470	BALL BEARING KIT
16	10-19995	BOLT, 3/8" - 16 X 1/2", GR5
17	10-29245	2-BOLT SHEAR ASSEMBLY

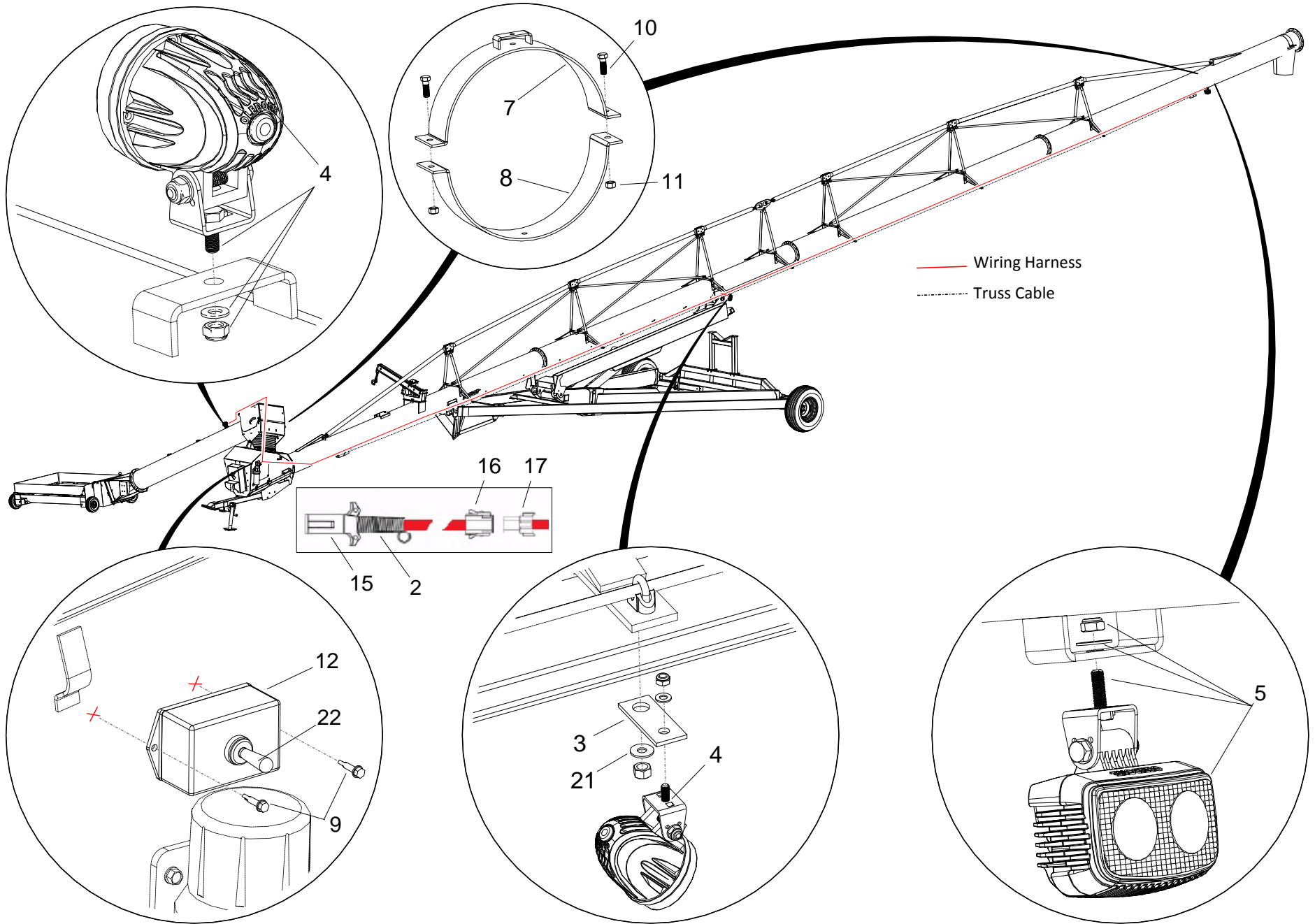
# WORK LIGHT KIT (HX130-74)



## WORK LIGHT KIT (HX130-74)

ITEM	PART NO.	DESCRIPTION	NOTES
1	10-22696	WORK LIGHT HARNESS, 74	
2	10-22687	TRACTOR PLUG EXTENSION HARNESS	
4	10-22394	MINI FLOOD LAMP, LEDWD-1L10 (INCLUDES HARDWARE)	
5	10-22395	FLOOD LAMP, LEDWD-2L20 (INCLUDES HARDWARE)	
6	10-22969	LIGHT BRACKET, 1374	
7	10-21537	HOSE CLAMP	
8	10-18987	HALF CLAMP, 13"	
9	10-22396	8-18 X 3/4" TEK SCREW	
10	10-18698	BOLT, 7/16" X 1-1/4"	
11	10-19598	LOCKNUT, 7/16"	
12	10-22399	SWITCH BOX ONLY	
13	10-22427	LEAD CONNECTOR, DEUTSCH DT06-2S	NOT SHOWN
14	10-22446	BUSS AGC 20A FUSE	NOT SHOWN
15	10-28665	7 PIN HIGHWAY TRACTOR CONNECTOR	
16	10-23124	8 WAY PLUG, AT06-08SA	
17	10-23125	8 WAY RECEPTACLE, AT04-08PA	
18	10-23126	WEATHER PACK TOWER, 6 POS	NOT SHOWN
19	10-23127	WEATHER PACK SHROUD, 6 POS	NOT SHOWN
20	10-23128	DEUTSCH 2 WAY CAP, 1011-344-0205	NOT SHOWN
22	10-28744	BOLT, 7/16" X 1-1/2"	
23	10-24355	WEATHERPROOF TOGGLE SWITCH	
24	05-A351	HX1374 WORK LIGHT KIT	

# WORK LIGHT KIT (HX130-84 & 94)





## WORK LIGHT KIT (HX130-84 & 94)

ITEM	PART NO.	DESCRIPTION	NOTES
1	10-22697	WORK LIGHT HARNESS, 84	
1	10-22698	WORK LIGHT HARNESS, 94	
2	10-22687	TRACTOR PLUG EXTENSION HARNESS	
3	10-22286	TRANSPORT CHAIN LUG	
4	10-22394	MINI FLOOD LAMP, LEDWD-1L10 (INCLUDES HARDWARE)	
5	10-22395	FLOOD LAMP, LEDWD-2L20 (INCLUDES HARDWARE)	
7	10-21537	HOSE CLAMP	
8	10-18987	HALF CLAMP, 13"	
9	10-22396	8-18 X 3/4" TEK SCREW	
10	10-18698	BOLT, 7/16" X 1-1/4"	
11	10-19598	LOCKNUT, 7/16"	
12	10-22399	SWITCH BOX ONLY	
13	10-22427	LEAD CONNECTOR, DEUTSCH DT06-2S	NOT SHOWN
14	10-22446	BUSS AGC 20A FUSE	NOT SHOWN
15	10-28665	7 PIN HIGHWAY TRACTOR CONNECTOR	
16	10-23124	8 WAY PLUG, AT06-08SA	
17	10-23125	8 WAY RECEPTACLE, AT04-08PA	
18	10-23126	WEATHER PACK TOWER, 6 POS	NOT SHOWN
19	10-23127	WEATHER PACK SHROUD, 6 POS	NOT SHOWN
20	10-23128	DEUTSCH 2 WAY CAP, 1011-344-0205	NOT SHOWN
21	10-27336	FLAT WASHER, 5/16"	
22	10-24355	WEATHERPROOF TOGGLE SWITCH	
23	05-A353	HX1384 WORK LIGHT KIT	
23	05-A355	HX1394 WORK LIGHT KIT	



P.O. Box 39

Rosenort, Manitoba, R0G 1W0 Canada

Phone: (866) 467-7207 (Canada & USA) or (204) 746-2396

Fax: (866) 768-4852

Website: [www.hutchinson-mayrath.com](http://www.hutchinson-mayrath.com)

email: [sales@grainaugers.com](mailto:sales@grainaugers.com)

© Ag Growth International Inc. 2019

Printed in Canada